

 **LETMOBEL**
CABINET LINE



KITCHEN CABINETS

Frameless

MADE IN USA



Quality

Our frameless cabinets are designed and built to the highest standard of the industry. We source top quality raw materials domestically in North America and perform all the manufacturing also in the USA. Assuring in this way the quality of the final products.

We build cabinets using European hardware, all our hinges, drawer guides and additional accessories are sourced from top Italian brands, which gives our kitchens the looks and feel of a leading product.

All our cabinets comply with the **TSCA Title VI EPA** rule and the **CARB ATCM** Phase II emission standards.

Service

The fact we source our raw materials and manufacture 100% in the US, warranties excellent real lead times for initial purchases, and short response time when needed.

Simplicity and Efficiency

We build our cabinets with the installer and the builder in mind. **Our products are designed to reduce assembly and installation time**, at the same time we utilize smart hardware to simplify final set up.

By utilizing the latest fastening technology, we reduce assembly labor **cost by 60%**, at the same time that eliminates the need of screws, staples and glue.

All our base cabinets are mounted on polymer adjustable legs, which makes installation and alignment super simple, eliminating the need of shims. **This reduces the installation time considerably.**

Wall Cabinets are fitted with 3 way adjustable hanger system, that eases set up and simplifies alignment in uneven walls.

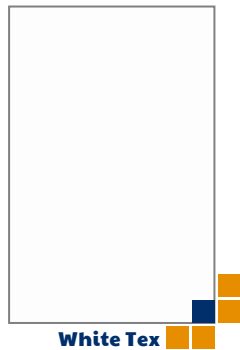
Since we have **direct access to TFL panels**, we manufacture our finished ends with the same designs of the drawer fronts and doors. Reducing the cost of additional panels, and the time to install those at the end of the job.

KITCHEN CABINETS

Frameless

SPECIFICATIONS

Door styles and finishes



If you are looking for a particular door color style or finish:

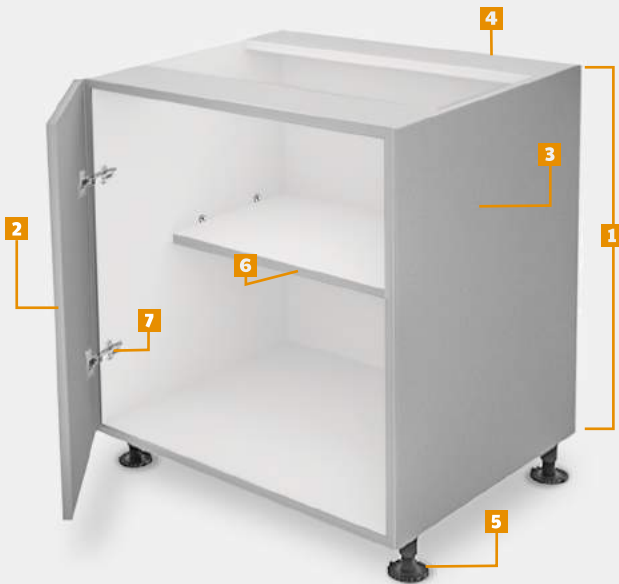
Write to us at: customerservice@letmobel.com • +1- 866 -721.88.37

We will answer questions in a personalized way.

KITCHEN CABINETS

Frameless

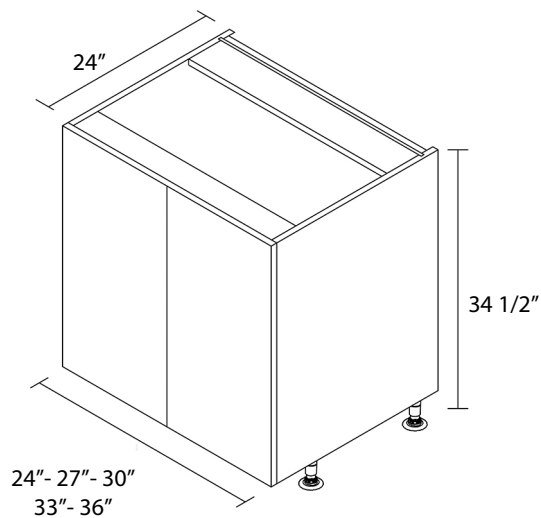
BASE CABINETS



2 DOORS • 1 SHELF

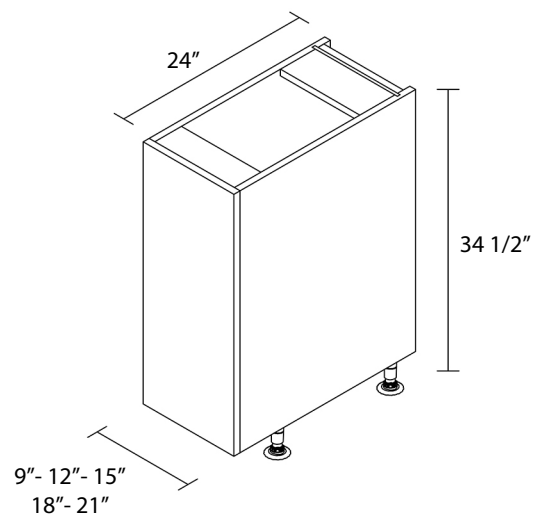
Features

1. Cabinet Box available in Soft Grey and White Tex colors, made of 3/4" PB TFL for maximum strength.
2. Door fronts offered in 9 different designs readily available.
3. Finished End Designs are matched with Doors and Drawer fronts, eliminating the need of additional panels or laminate, reducing overall cost and simplifying installation.
4. 3/8" PB TFL Cabinet Back increases durability and toughness.
5. Adjustable plastic legs makes leveling a breeze and protect box from water leaks.
6. Adjustable Shelves to add versatility, made of 3/4" PB TFL to maximize strength.
7. Italian hinges with integrated Soft-Close mechanism, easy installation device and 3-way adjustment system.



2 DOORS • 1 SHELF

- B24D02**
24W X 24DX 34.5H
- B27D02**
27W X 24DX 34.5H
- B30D02**
30W X 24DX 34.5H
- B33D02**
33W X 24DX 34.5H
- B36D02**
36W X 24DX 34.5H



1 DOOR • 1 SHELF

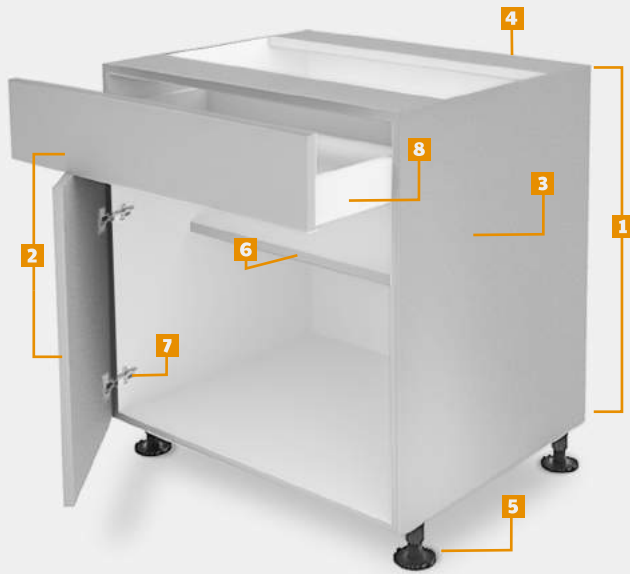
R: RIGHT L: LEFT

- B9D01-R/L**
9W X 24DX 34.5H
- B12D01-R/L**
12W X 24DX 34.5H
- B15D01-R/L**
15W X 24DX 34.5H
- B18D01-R/L**
18W X 24DX 34.5H
- B21D01-R/L**
21W X 24DX 34.5H

KITCHEN CABINETS

Frameless

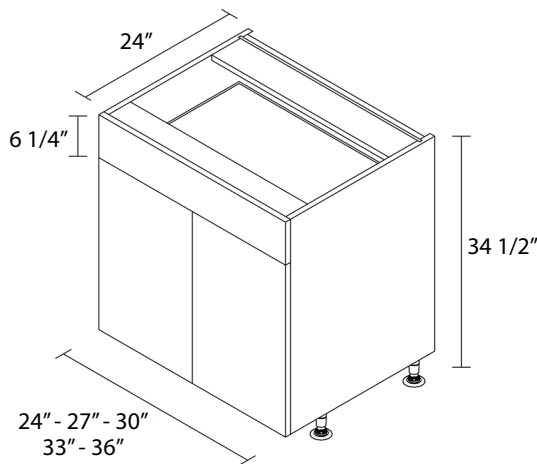
BASE CABINETS



2 DOORS • 1 SHELF • 1 DRAWER

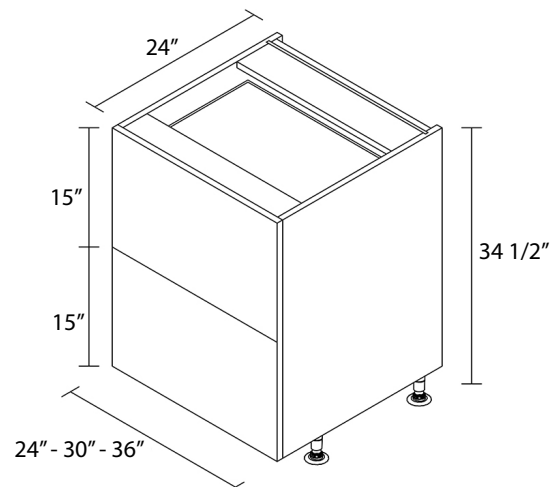
Features

1. Cabinet Box available in Soft Grey and White Tex colors, made of 3/4" PB TFL for maximum strength.
2. Doors and Drawer fronts offered in 9 different designs readily available.
3. Finished End Designs are matched with Doors and Drawer fronts, eliminating the need of additional panels or laminate, reducing overall cost and simplifying installation.
4. 3/8" PB TFL Cabinet Back increases durability and toughness.
5. Adjustable plastic legs makes leveling a breeze and protect box from water leaks.
6. Adjustable Shelves to add versatility, made of 3/4" PB TFL to maximize strength.
7. Italian hinges with integrated Soft-Close mechanism, easy installation device and 3-way adjustment system.
8. Concealed High Quality Italian drawer runners with integrated soft-closing mechanism and 6-Way adjustment device for easy install and alignment.



2 DOORS • 1 SHELF • 1 DRAWER

- B24DO2-DW1**
24W X 24DX 34.5H
- B27DO2-DW1**
27W X 24DX 34.5H
- B30DO2-DW1**
30W X 24DX 34.5H
- B33DO2-DW1**
33W X 24DX 34.5H
- B36DO2-DW1**
36W X 24DX 34.5H



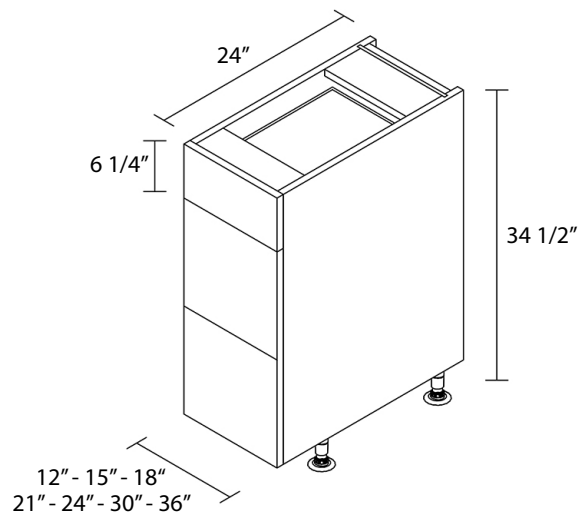
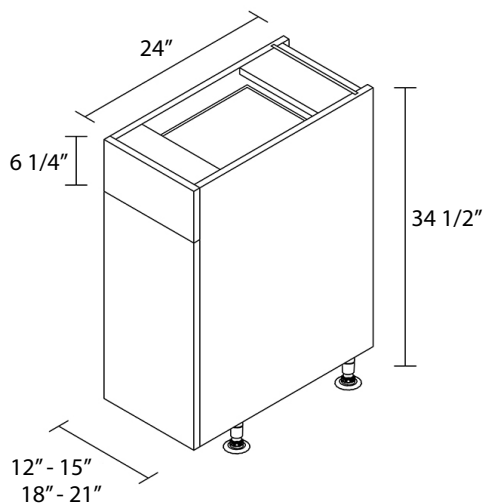
2 DRAWERS

- B24-DW2**
24W X 24DX 34.5H
- B30-DW2**
30W X 24DX 34.5H
- B36-DW2**
36W X 24DX 34.5H

KITCHEN CABINETS

Frameless

BASE CABINETS



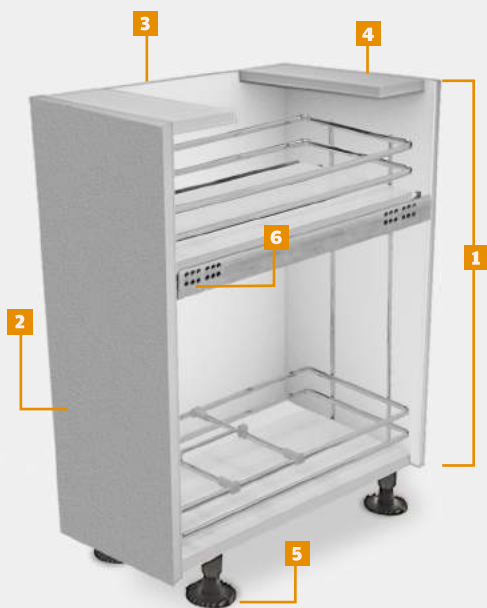
1 DOOR • 1 SHELF • 1 DRAWER

R: RIGHT L: LEFT

- B12DO1-DW1-R/L**
12W X 24D X 34.5H
- B15DO1-DW1-R/L**
15W X 24D X 34.5H
- B18DO1-DW1-R/L**
18W X 24D X 34.5H
- B21DO1-DW1-R/L**
21W X 24D X 34.5H

3 DRAWERS

- | | |
|-------------------------------------|-------------------------------------|
| B12-DW3
12W X 24D X 34.5H | B24-DW3
24W X 24D X 34.5H |
| B15-DW3
15W X 24D X 34.5H | B30-DW3
30W X 24D X 34.5H |
| B18-DW3
18W X 24D X 34.5H | B36-DW3
36W X 24D X 34.5H |
| B21-DW3
21W X 24D X 34.5H | |



METAL PULL OUT ORGANIZER

Italian High quality pull out organizer offering full extension, Soft-close and with door front face adjustment.

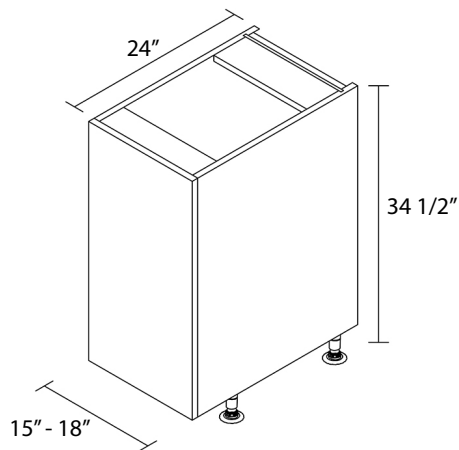
Features

1. Cabinet Box available in Soft Grey and White Tex colors, made of 3/4" PB TFL for maximum strength.
2. Door fronts offered in 9 different designs readily available.
3. Finished End Designs are matched with Doors and Drawer fronts, eliminating the need of additional panels or laminate, reducing overall cost and simplifying installation.
4. 3/8" PB TFL Cabinet Back increases durability and toughness.
5. Adjustable plastic legs makes leveling a breeze and protect box from water leaks.
6. Pull Out Organizer accessory.

KITCHEN CABINETS

Frameless

BASE CABINETS



METAL PULL OUT ORGANIZER

B15PO
15W X 24D X 34.5H
B18PO
18W X 24D X 34.5H

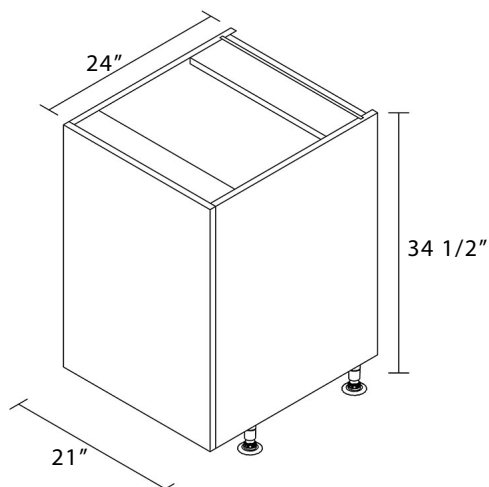


WASTE RECYCLE PULL OUT

Italian High quality pull out offering full extension, Soft-Close and with door front face adjustment.

Features

1. Cabinet Box available in Soft Grey and White Tex colors, made of 3/4" PB TFL for maximum strength.
2. Door fronts offered in 9 different designs readily available.
3. Finished End Designs are matched with Doors and Drawer fronts, eliminating the need of additional panels or laminate, reducing overall cost and simplifying installation.
4. 3/8" PB TFL Cabinet Back increases durability and toughness.
5. Adjustable plastic legs makes leveling a breeze and protect box from water leaks.
6. Waste recycle pull out accessory.



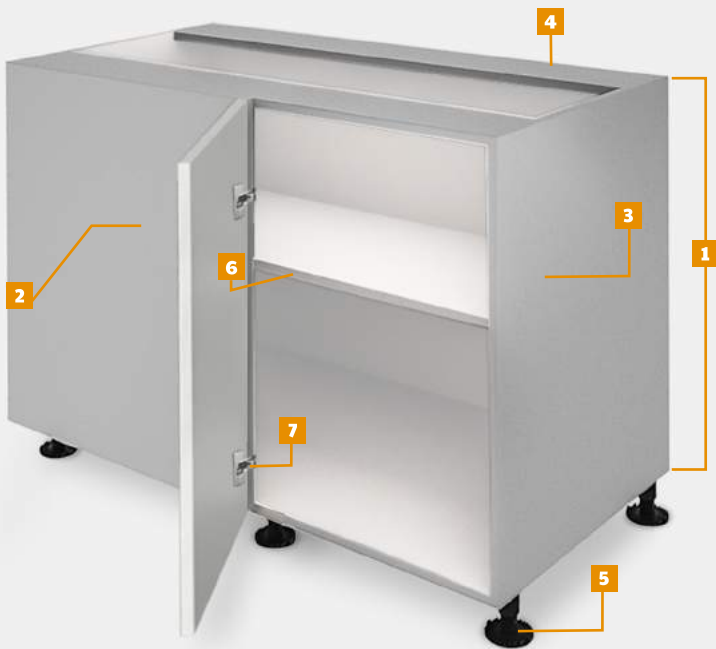
WASTE RECYCLE PULL OUT

B21TPO
21W X 24D X 34.5H

KITCHEN CABINETS

Frameless

BASE CABINETS



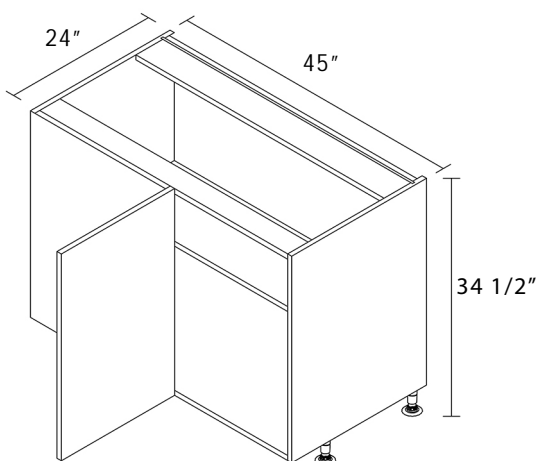
BASE • BLIND CORNER

Features

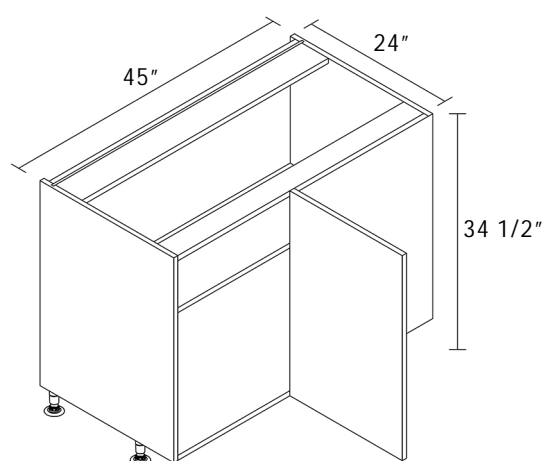
1. Cabinet Box available in Soft Grey and White Tex colors, made of $\frac{3}{4}$ " PB TFL for maximum strength.
2. Door fronts offered in 9 different designs readily available.
3. Finished End Designs are matched with Doors and Drawer fronts, eliminating the need of additional panels or laminate, reducing overall cost and simplifying installation.
4. $\frac{3}{8}$ " PB TFL Cabinet Back increases durability and toughness.
5. Adjustable plastic legs makes leveling a breeze and protect box from water leaks.
6. Adjustable Shelves to add versatility, made of $\frac{3}{4}$ " PB TFL to maximize strength.
7. Italian hinges with integrated Soft-Close mechanism, easy installation device and 3-way adjustment system.

BASE • BLIND CORNER

R: RIGHT L: LEFT



BBC45DO1-R
45WX24DX34.5H

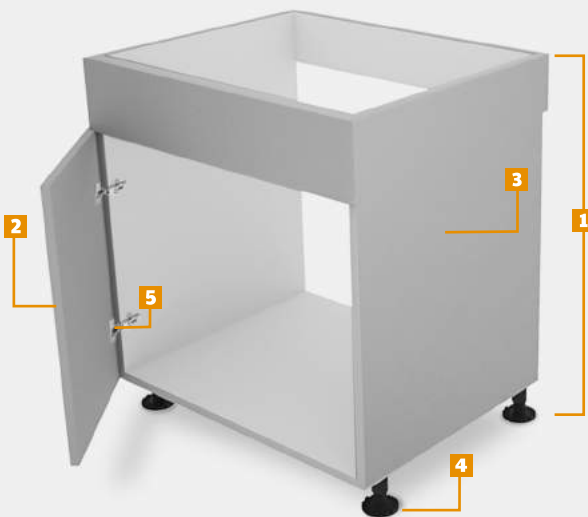


BBC45DO1-L
45WX24DX34.5H

KITCHEN CABINETS

Frameless

SINK CABINETS



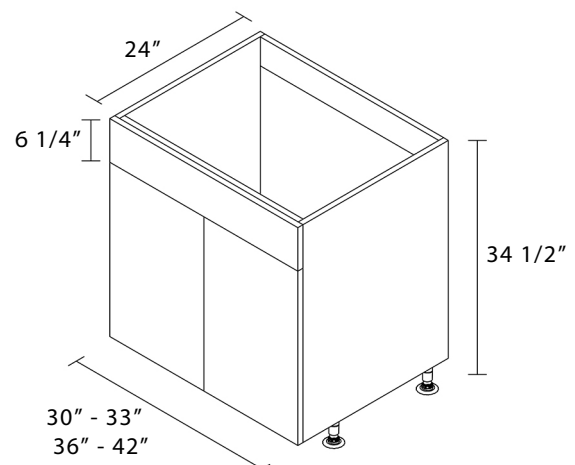
2 DOORS • 1 DUMMY DRAWER

Features

1. Cabinet Box available in Soft Grey and White Tex colors, made of ¾" PB TFL for maximum strength.
2. Doors, and Dummy drawer fronts offered in 9 different designs readily available.
3. Finished End Designs are matched with Doors and Drawer fronts, eliminating the need of additional panels or laminate, reducing overall cost and simplifying installation.
4. Adjustable plastic legs makes leveling a breeze and protect box from water leaks.
5. Italian hinges with integrated Soft-Close mechanism, easy installation device and 3-way adjustment system.

2 DOORS • 1 DUMMY DRAWER

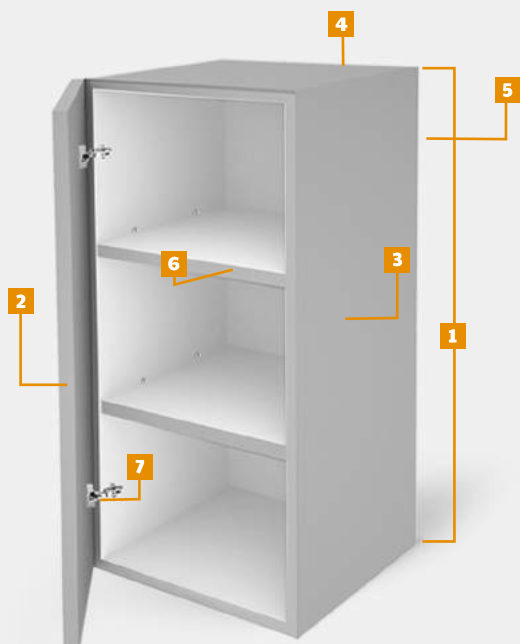
- SB30DO2-FDW1**
30W X 24DX 34.5H
- SB33DO2-FDW1**
33W X 24DX 34.5H
- SB36DO2-FDW1**
36W X 24DX 34.5H
- SB42DO2-FDW1**
42W X 24DX 34.5H



KITCHEN CABINETS

Frameless

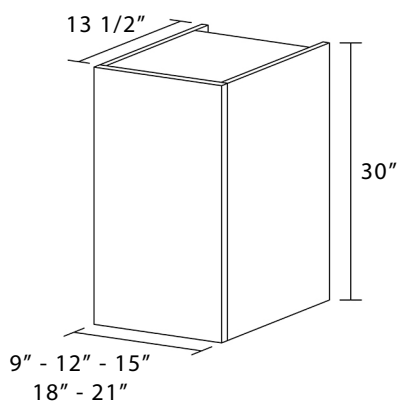
WALL CABINETS



1 DOOR • 2 AND 3 SHELVES

Features

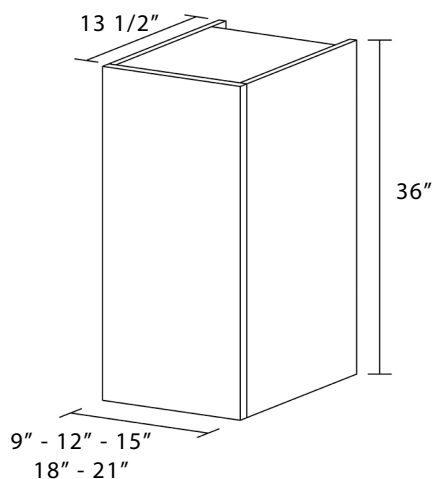
1. Cabinet Box available in Soft Grey and White Tex colors, made of 3/4" PB TFL for maximum strength.
2. Door fronts offered in 9 different designs readily available.
3. Finished End Designs are matched with Doors, eliminating the need of additional panels or laminate, reducing overall cost and simplifying installation.
4. 3/8" PB TFL Cabinet Back increases durability and toughness.
5. Hanger system with integrated 3-Way adjustment mechanism, shortens installation time and simplify alignment in uneven walls.
6. Adjustable Shelves to add versatility, made of 3/4" PB TFL to maximize strength.
7. Italian hinges with integrated Soft-Close mechanism, easy installation device and 3-way adjustment system.



1 DOOR • 2 SHELVES

R: RIGHT L: LEFT

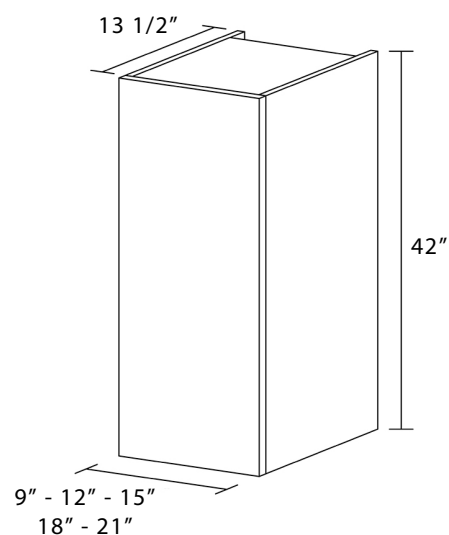
- W930DO1-R/L**
9WX13.5DX30H
- W1230DO1-R/L**
12WX13.5DX30H
- W1530DO1-R/L**
15WX13.5DX30H
- W1830DO1-R/L**
18WX13.5DX30H
- W2130DO1-R/L**
21WX13.5DX30H



1 DOOR • 3 SHELVES

R: RIGHT L: LEFT

- W936DO1-R/L**
9WX13.5DX36H
- W1236DO1-R/L**
12WX13.5DX36H
- W1536DO1-R/L**
15WX13.5DX36H
- W1836DO1-R/L**
18WX13.5DX36H
- W2136DO1-R/L**
21WX13.5DX36H



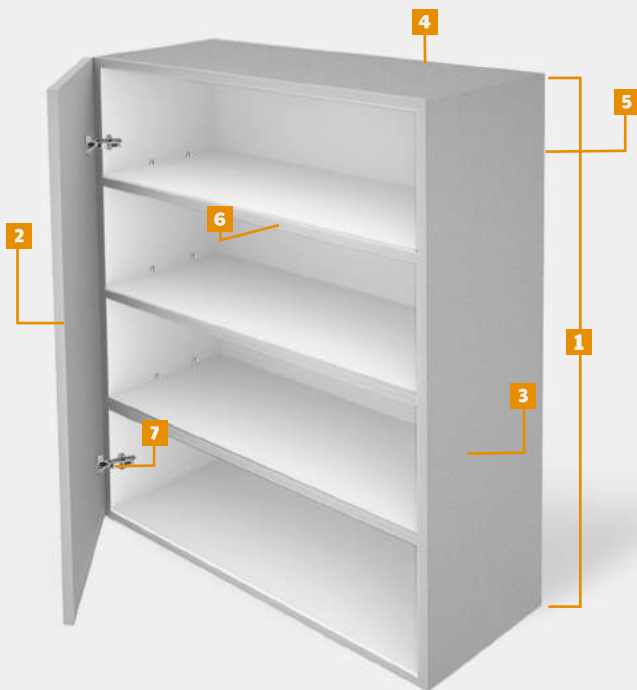
1 DOOR • 2 SHELVES

- W942DO1-R/L**
9WX13.5DX42H
- W1242DO1-R/L**
12WX13.5DX42H
- W1542DO1-R/L**
15WX13.5DX42H
- W1842DO1-R/L**
18WX13.5DX42H
- W2142DO1-R/L**
21WX13.5DX42H

KITCHEN CABINETS

Frameless

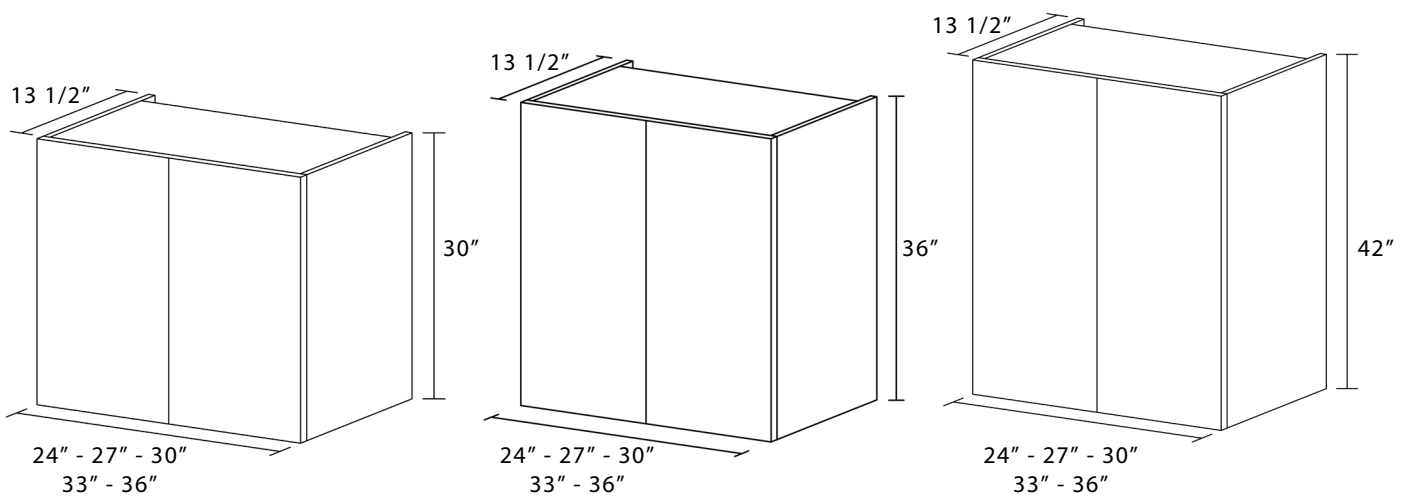
WALL CABINETS



2 DOORS • 2 AND 3 SHELVES

Features

1. Cabinet Box available in Soft Grey and White Tex colors, made of ¾" PB TFL for maximum strength.
2. Door fronts offered in 9 different designs readily available.
3. Finished End Designs are matched with Doors, eliminating the need of additional panels or laminate, reducing overall cost and simplifying installation.
4. 3/8" PB TFL Cabinet Back increases durability and toughness.
5. Hanger system with integrated 3-Way adjustment mechanism, shortens installation time and simplify alignment in uneven walls.
6. Adjustable Shelves to add versatility, made of ¾" PB TFL to maximize strength.
7. Italian hinges with integrated Soft-Close mechanism, easy installation device and 3-way adjustment system.



2 DOORS • 2 SHELVES

- W2430D02**
24Wx13.5DX30H
- W2730D02**
27Wx13.5DX30H
- W3030D02**
30Wx13.5DX30H
- W3330D02**
33Wx13.5DX30H
- W3630D02**
36Wx13.5DX30H

2 DOORS • 3 SHELVES

- W2436D02**
24Wx13.5DX36H
- W2736D02**
27Wx13.5DX36H
- W3036D02**
30Wx13.5DX36H
- W3336D02**
33Wx13.5DX36H
- W3636D02**
36Wx13.5DX36H

- W2442D02**
24Wx13.5DX42H
- W2742D02**
27Wx13.5DX42H
- W3042D02**
30Wx13.5DX42H
- W3342D02**
33Wx13.5DX42H
- W3642D02**
36Wx13.5DX42H

KITCHEN CABINETS

Frameless

WALL CABINETS



1 DOOR

Features

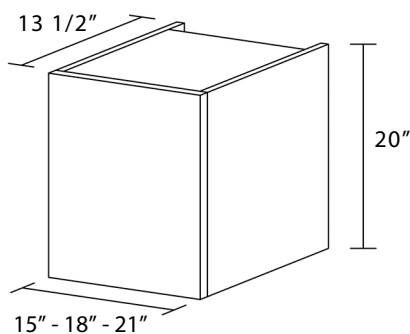
1. Cabinet Box available in Soft Grey and White Tex colors, made of $\frac{3}{4}$ " PB TFL for maximum strength.
2. Door fronts offered in 9 different designs readily available.
3. Finished End Designs are matched with Doors, eliminating the need of additional panels or laminate, reducing overall cost and simplifying installation.
4. $\frac{3}{8}$ " PB TFL Cabinet Back increases durability and toughness.
5. Hanger system with integrated 3-Way adjustment mechanism, shortens installation time and simplify alignment in uneven walls.
6. Italian hinges with integrated Soft-Close mechanism, easy installation device and 3-way adjustment system.



1 LIFT UP DOOR

Features

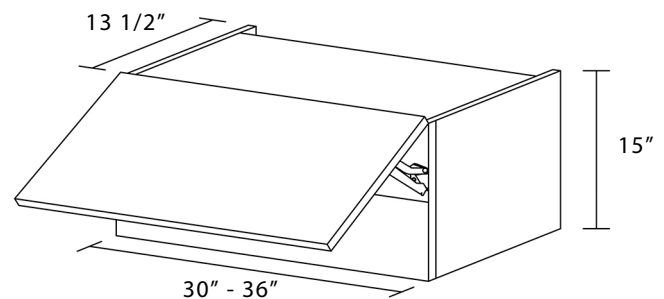
1. Cabinet Box available in Soft Grey and White Tex colors, made of $\frac{3}{4}$ " PB TFL for maximum strength.
2. Door fronts offered in 9 different designs readily available.
3. Finished End Designs are matched with Doors, eliminating the need of additional panels or laminate, reducing overall cost and simplifying installation.
4. $\frac{3}{8}$ " PB TFL Cabinet Back increases durability and toughness.
5. Hanger system with integrated 3-Way adjustment mechanism, shortens installation time and simplify alignment in uneven walls.
6. Lift Up adjustable system with soft close mechanism.



1 DOOR

R: RIGHT L: LEFT

- W1520DO1-R/L**
15W X 13.5DX 20H
- W1820DO1-R/L**
18W X 13.5DX 20H
- W2120DO1-R/L**
21W X 13.5DX 20H



1 LIFT UP DOOR

- W3015LU**
30W X 13.5DX 15H
- W3615LU**
36W X 13.5DX 15H

KITCHEN CABINETS

Frameless

WALL CABINETS



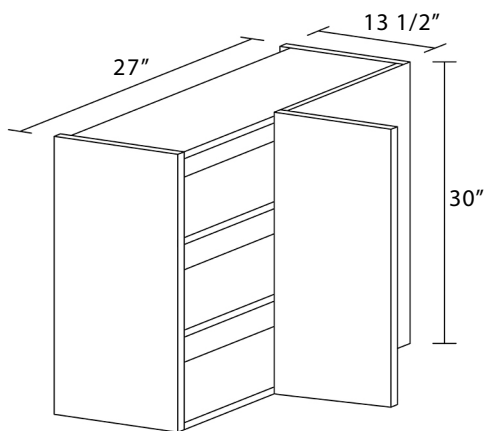
WALL - BLIND CORNER

Features

1. Cabinet Box available in Soft Grey and White Tex colors, made of 3/4" PB TFL for maximum strength.
2. Door fronts offered in 9 different designs readily available.
3. Finished End Designs are matched with Doors, eliminating the need of additional panels or laminate, reducing overall cost and simplifying installation.
4. 3/8" PB TFL Cabinet Back increases durability and toughness.
5. Hanger system with integrated 3-Way adjustment mechanism, shortens installation time and simplify alignment in uneven walls.
6. Adjustable Shelves to add versatility, made of 3/4" PB TFL to maximize strength.
7. Italian hinges with integrated Soft-Close mechanism, easy installation device and 3-way adjustment system.

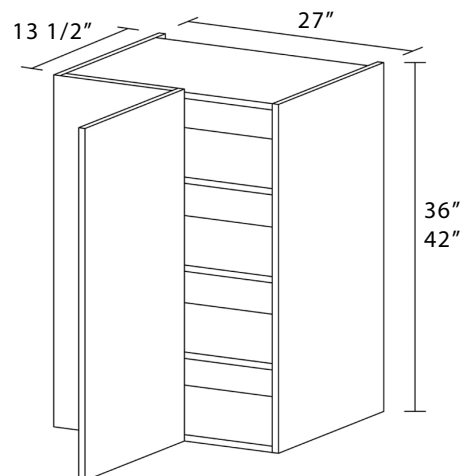
WALL - BLIND CORNER

R: RIGHT L: LEFT



1 DOOR • 2 SHELVES

WBC2730D01-R/L
27WX13.5DX30H



1 DOOR • 3 SHELVES

WBC2736D01-R/L
27WX13.5DX36H
WBC2742D01-R/L
27WX13.5DX42H

KITCHEN CABINETS

Frameless

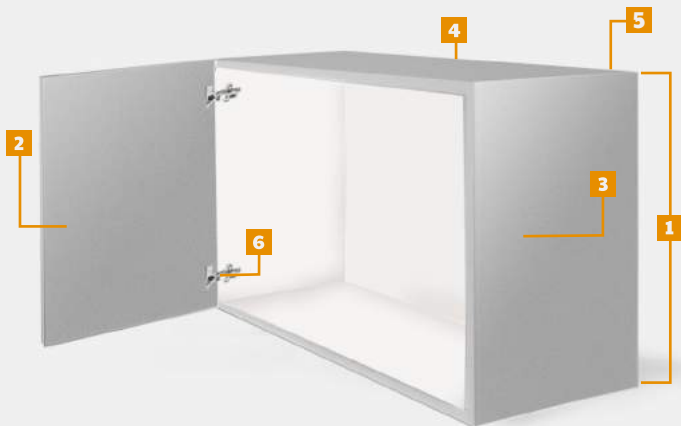
BRIDGE CABINETS



2 DOORS

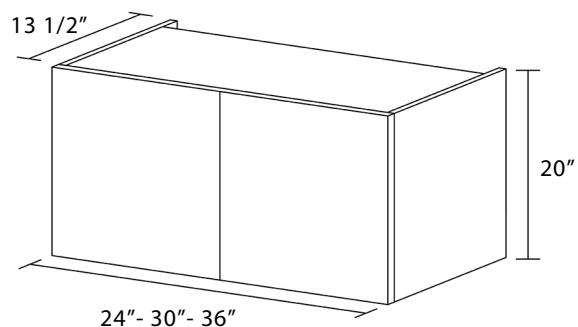
Features

1. Cabinet Box available in Soft Grey and White Tex colors, made of 3/4" PB TFL for maximum strength.
2. Door fronts offered in 9 different designs readily available.
3. Finished End Designs are matched with Doors, eliminating the need of additional panels or laminate, reducing overall cost and simplifying installation.
4. 3/8" PB TFL Cabinet Back increases durability and toughness.
5. Hanger system with integrated 3-Way adjustment mechanism, shortens installation time and simplify alignment in uneven walls.
6. Italian hinges with integrated Soft-Close mechanism, easy installation device and 3-way adjustment system.



2 DOORS

- WB2420DO2**
24W X 13.5D X 20H
- WB3020DO2**
30W X 13.5D X 20H
- WB3620DO2**
36W X 13.5D X 20H



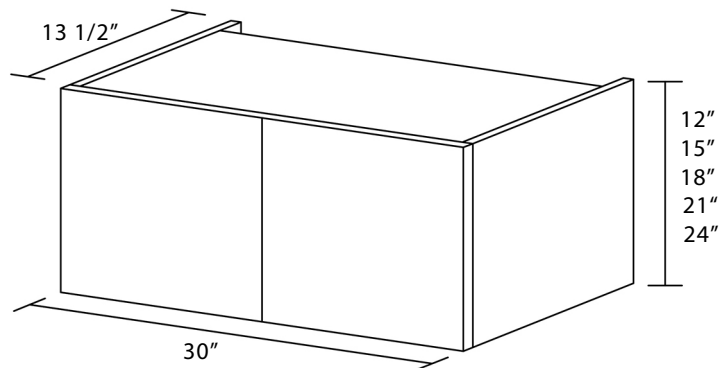
KITCHEN CABINETS

Frameless

BRIDGE CABINETS

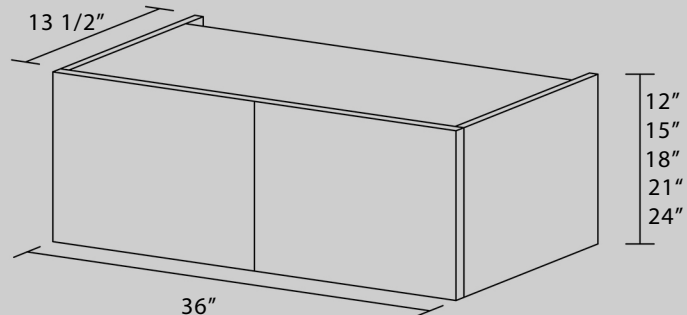
2 DOORS

- WB3012DO2**
30WX13.5DX12H
- WB3015DO2**
30WX13.5DX15H
- WB3018DO2**
30WX13.5DX18H
- WB3021DO2**
30WX13.5DX21H
- WB3025DO2**
30WX13.5DX24H



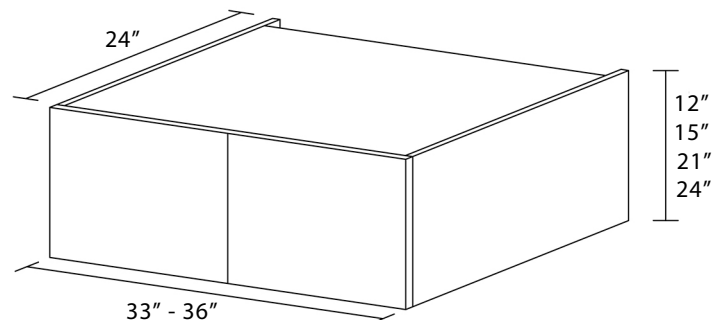
2 DOORS

- WB3612DO2**
36WX13.5DX12H
- WB3615DO2**
36WX13.5DX15H
- WB3618DO2**
36WX13.5DX18H
- WB3621DO2**
36WX13.5DX21H
- WB3625DO2**
36WX13.5DX24H



2 DOORS

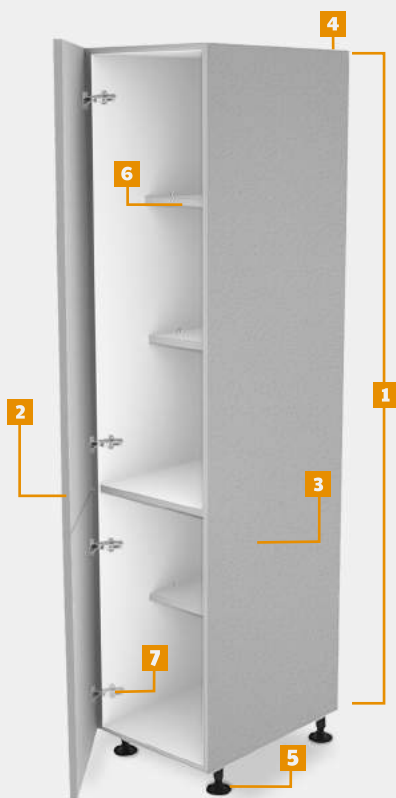
- | | |
|-----------------------------------|----------------------------------|
| WB331224DO2
33WX24DX12H | W361224DO2
36WX24DX12H |
| WB331524DO2
33WX24DX15H | W361524DO2
36WX24DX15H |
| WB332124DO2
33WX24DX21H | W362124DO2
36WX24DX21H |
| WB332424DO2
33WX24DX24H | W362424DO2
36WX24DX24H |



KITCHEN CABINETS

Frameless

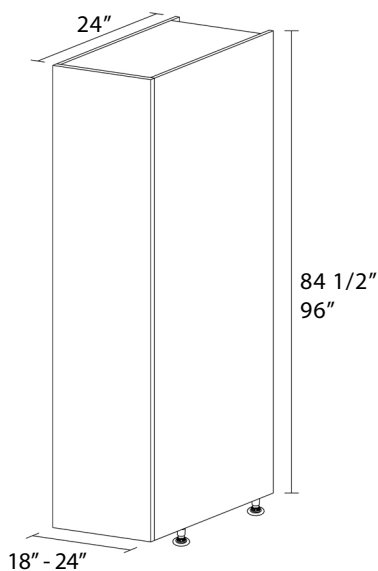
TALL PANTRY



2 DOORS • 4 SHELVES

Features

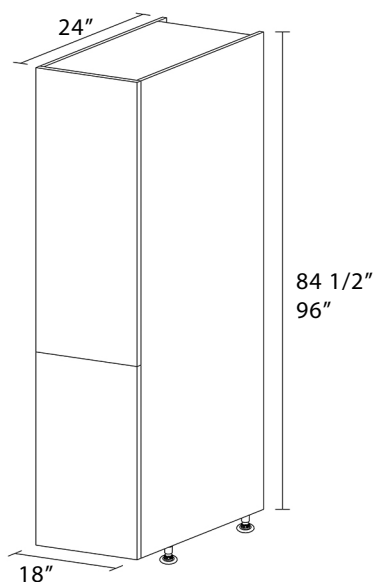
1. Cabinet Box available in Soft Grey and White Tex colors, made of 3/4" PB TFL for maximum strength.
2. Doors and Drawer fronts offered in 9 different designs readily available.
3. Finished End Designs are matched with Doors and Drawer fronts, eliminating the need of additional panels or laminate, reducing overall cost and simplifying installation.
4. 3/8" PB TFL Cabinet Back increases durability and toughness.
5. Adjustable plastic legs makes leveling a breeze and protect box from water leaks.
6. Adjustable Shelves to add versatility, made of 3/4" PB TFL to maximize strength.
7. Italian hinges with integrated Soft-Close mechanism, easy installation device and 3-way adjustment system.



1 DOOR • 4 SHELVES

R: RIGHT L: LEFT

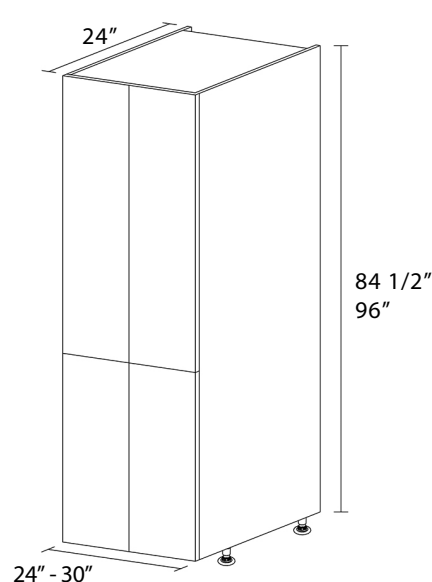
- TP1884DO1-R/L**
18WX24DX84.5H
- TP1896DO1-R/L**
18WX24DX96H
- TP2484DO1-R/L**
24WX24DX84.5H
- TP2496DO1-R/L**
24WX24DX96H



2 DOORS • 3 • 4 SHELVES

R: RIGHT L: LEFT

- TP1884DO2-R/L**
18WX24DX84.5H
- TP1896DO2-R/L**
18WX24DX96H



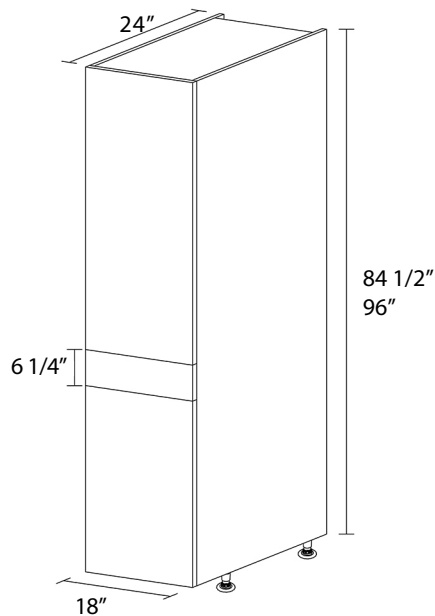
4 DOORS • 3 • 4 SHELVES

- TP2484DO4**
24WX24DX84.5H
- TP2496DO4**
24WX24DX96H
- TP3084DO4**
30WX24DX84.5H
- TP3096DO4**
30WX24DX96H

KITCHEN CABINETS

Frameless

TALL PANTRY



2 DOORS • 3 • 4 SHELVES 1 DRAWER

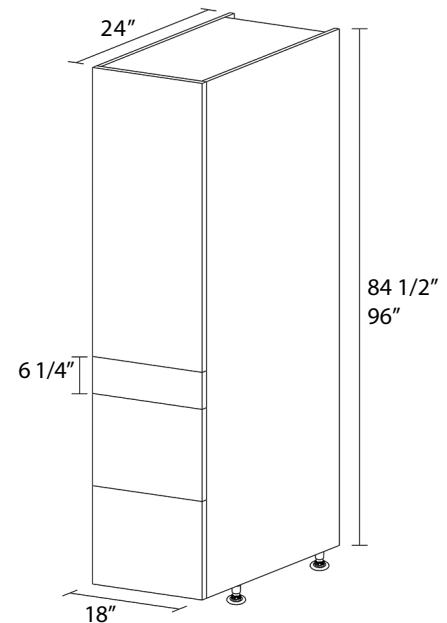
R: RIGHT L: LEFT

TP1884DO2-DW1-R/L

18WX24DX84.5H

TP1896DO2-DW1-R/L

18WX24DX96H



1 DOOR • 2 • 3 SHELVES 3 DRAWERS

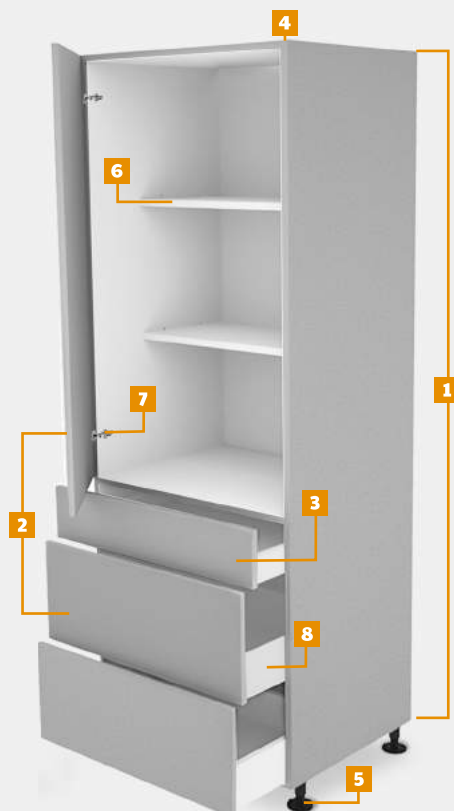
R: RIGHT L: LEFT

TP1884DO1-DW3-R/L

18WX24DX84.5H

TP1896DO1-DW3-R/L

18WX24DX96H



2 DOORS • 2 SHELVES • 3 DRAWERS 2 DOORS • 3 SHELVES • 3 DRAWERS

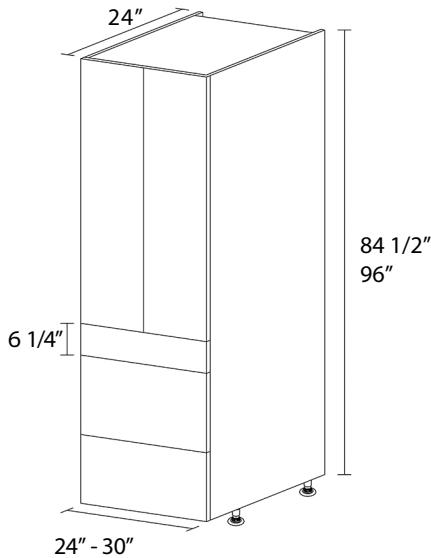
Features

1. Cabinet Box available in Soft Grey and White Tex colors, made of 3/4" PB TFL for maximum strength.
2. Doors and Drawer fronts offered in 9 different designs readily available.
3. Finished End Designs are matched with Doors and Drawer fronts, eliminating the need of additional panels or laminate, reducing overall cost and simplifying installation.
4. 3/8" PB TFL Cabinet Back increases durability and toughness.
5. Adjustable plastic legs makes leveling a breeze and protect box from water leaks.
6. Adjustable Shelves to add versatility, made of 3/4" PB TFL to maximize strength.
7. Italian hinges with integrated Soft-Close mechanism, easy installation device and 3-way adjustment system.
8. Concealed High Quality Italian drawer runners with integrated soft-closing mechanism and 6-Way adjustment device for easy install and alignment.

KITCHEN CABINETS

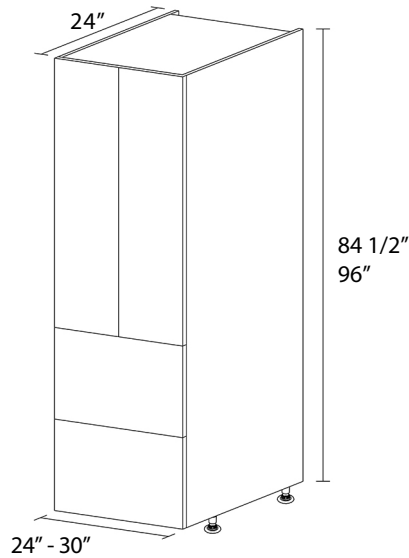
Frameless

TALL PANTRY



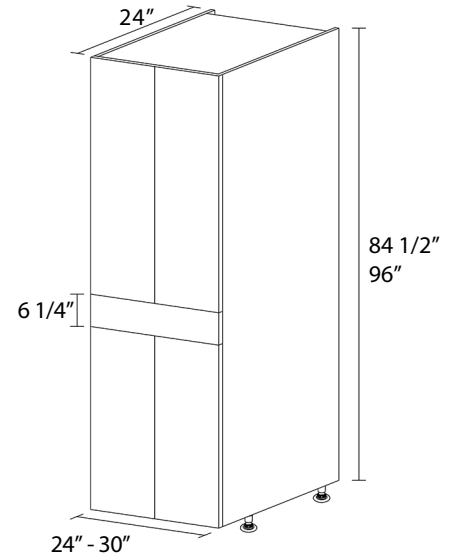
2 DOORS • 2 • 3 SHELVES 3 DRAWERS

TP2484DO2-DW3
24W X 24D X 84.5H
TP2496DO2-DW3
24W X 24D X 96H
TP3084DO2-DW3
30W X 24D X 84.5H
TP3096DO2-DW3
30W X 24D X 96H



2 DOORS • 2 • 3 SHELVES 2 DRAWERS

TP2484DO2-DW2
24W X 24D X 84.5H
TP2496DO2-DW2
24W X 24D X 96H
TP3084DO2-DW2
30W X 24D X 84.5H
TP3096DO2-DW2
30W X 24D X 96H



4 DOORS • 3 • 4 SHELVES 1 DRAWER

TP2484DO4-DW1
24W X 24D X 84.5H
TP2496DO4-DW1
24W X 24D X 96H
TP3084DO4-DW1
30W X 24D X 84.5H
TP3096DO4-DW1
30W X 24D X 96H



TALL SINGLE OVEN PANTRY

4 DOORS • 1 SHELF

Futures

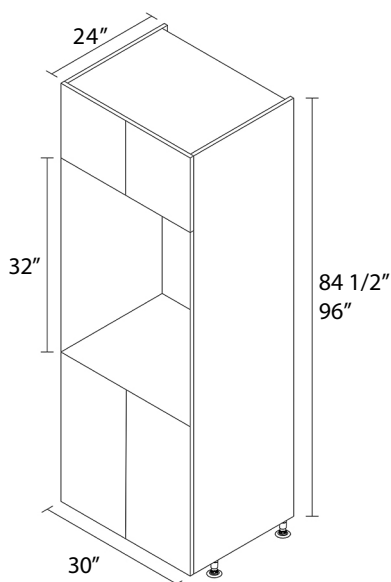
1. Cabinet Box available in Soft Grey and White Tex colors, made of 3/4" PB TFL for maximum strength.
2. Doors and Drawer fronts offered in 9 different designs readily available.
3. Finished End Designs are matched with Doors and Drawer fronts, eliminating the need of additional panels or laminate, reducing overall cost and simplifying installation.
4. 3/8" PB TFL Cabinet Back increases durability and toughness.
5. Adjustable plastic legs makes leveling a breeze and protect box from water leaks.
6. Adjustable Shelves to add versatility, made of 3/4" PB TFL to maximize strength.
7. Italian hinges with integrated Soft-Close mechanism, easy installation device and 3-way adjustment system.

KITCHEN CABINETS

Frameless

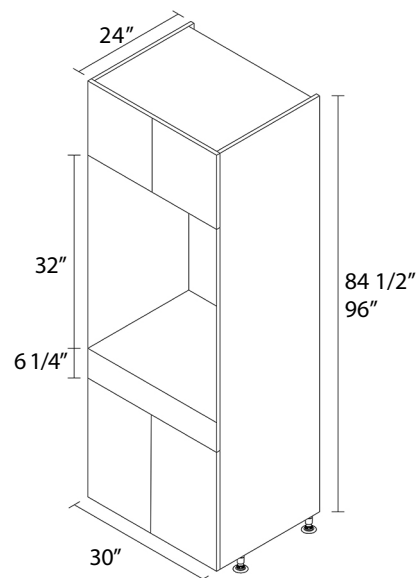
TALL PANTRY

TALL SINGLE OVEN PANTRY



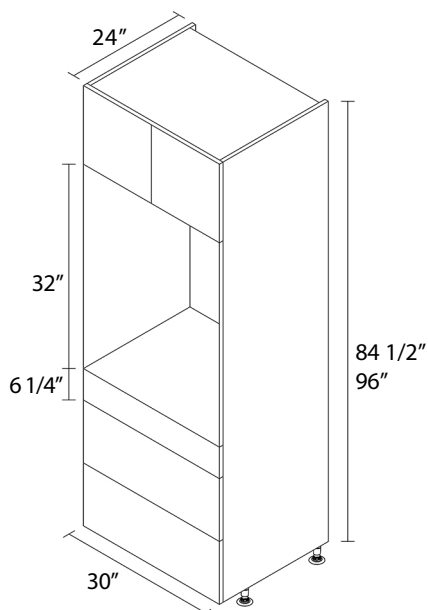
4 DOORS • 1 SHELF

TPSO3084DO4
30WX24DX84.5H
TPSO3096DO4
30WX24DX96H



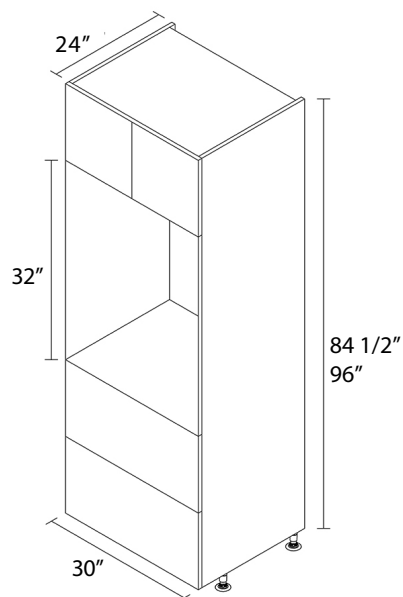
4 DOORS • 1 SHELF 1 DRAWER

TPSO3084DO4-DW1
30WX24DX84.5H
TPSO3096DO4-DW1
30WX24DX96H



2 DOORS • 3 DRAWERS

TPSO3084DO2-DW3
30WX24DX84.5H
TPSO3096DO2-DW3
30WX24DX96H



2 DOORS • 2 DRAWERS

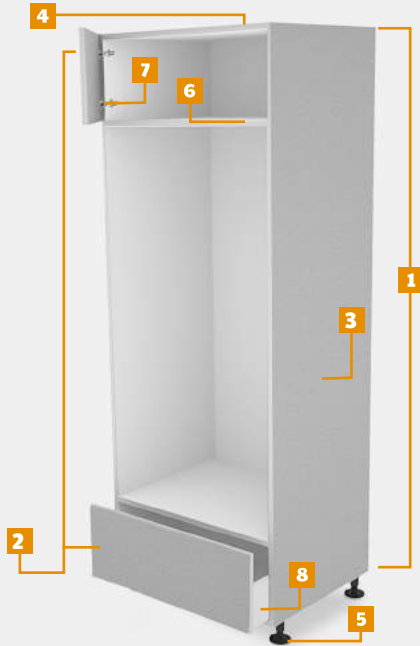
TPSO3084DO2-DW2
30WX24DX84.5H
TPSO3096DO2-DW2
30WX24DX96H

KITCHEN CABINETS

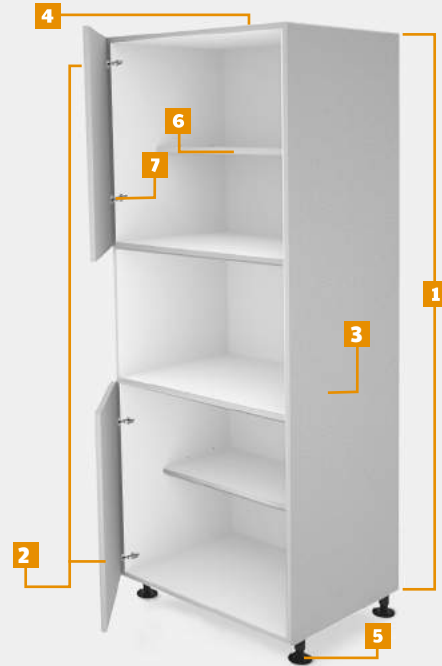
Frameless

TALL PANTRY

TALL DUAL OVEN PANTRY

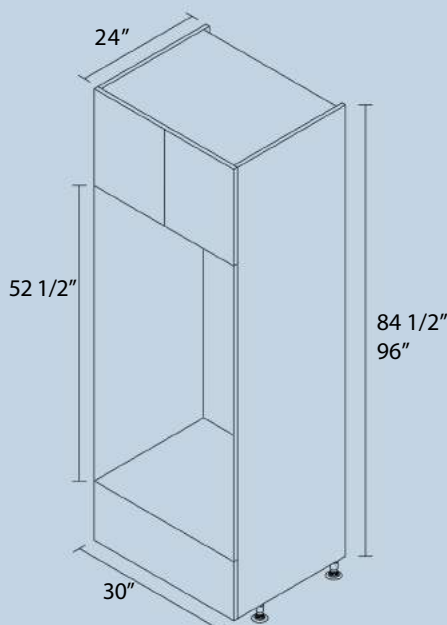


TALL MICROWAVE PANTRY



Futures

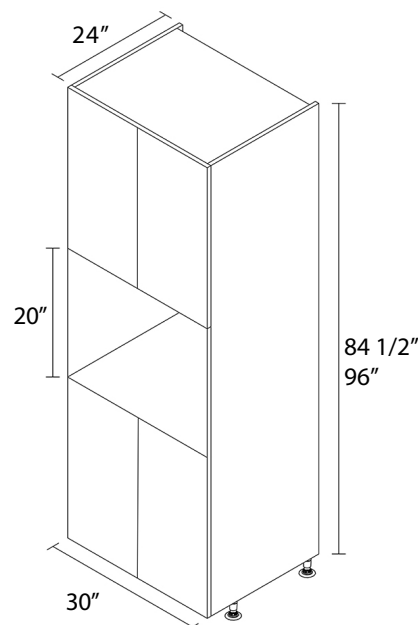
1. Cabinet Box available in Soft Grey and White Tex colors, made of 3/4" PB TFL for maximum strength.
2. Doors and Drawer fronts offered in 9 different designs readily available.
3. Finished End Design are matched with Doors and Drawer fronts, eliminating the need of additional panels or laminate, reducing overall cost and simplifying installation.
4. 3/8" PB TFL Cabinet Back increases durability and toughness.
5. Adjustable plastic legs makes leveling a breeze and protect box from water leaks.
6. Adjustable Shelves to add versatility, made of 3/4" PB TFL to maximize strength.
7. Italian hinges with integrated Soft-Close mechanism, easy installation device and 3-way adjustment system.
8. Concealed High Quality Italian drawer runners with integrated soft-closing mechanism and 6-Way adjustment device for easy install and alignment.



TALL DUAL OVEN PANTRY

2 DOORS 1 DRAWER

TPDO3084DO2-DW1
30WX24DX84.5H
TPDO3096DO2-DW1
30WX24DX96H



TALL MICROWAVE PANTRY

4 DOORS 2 SHELVES

TPM3084DO4
30WX24DX84.5H
TPM3096DO4
30WX24DX96H

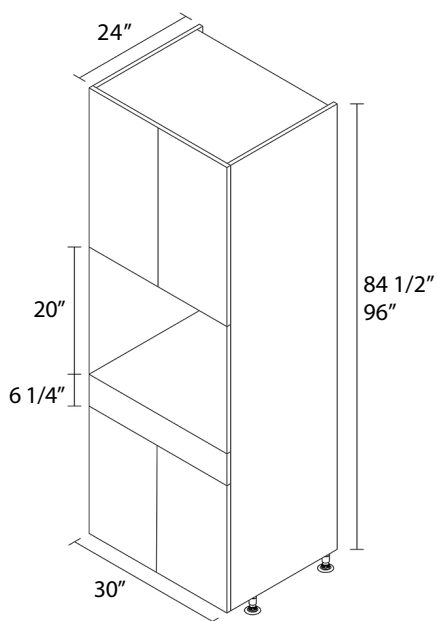
KITCHEN CABINETS

Frameless

TALL PANTRY



TALL MICROWAVE PANTRY



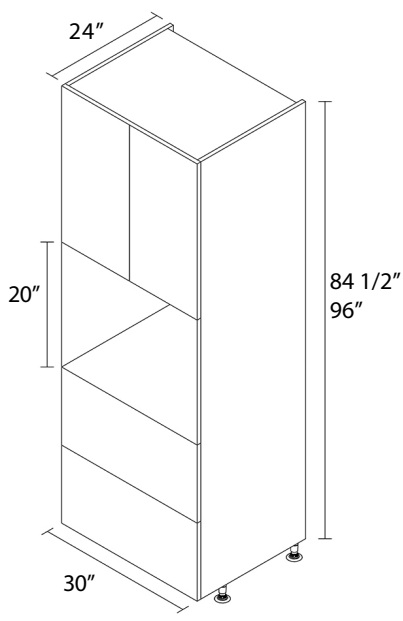
4 DOORS • 1 SHELF 1 DRAWER

TPM3084DO4-DW1

30W X 24D X 84.5H

TPM3096DO4-DW1

30W X 24D X 96H



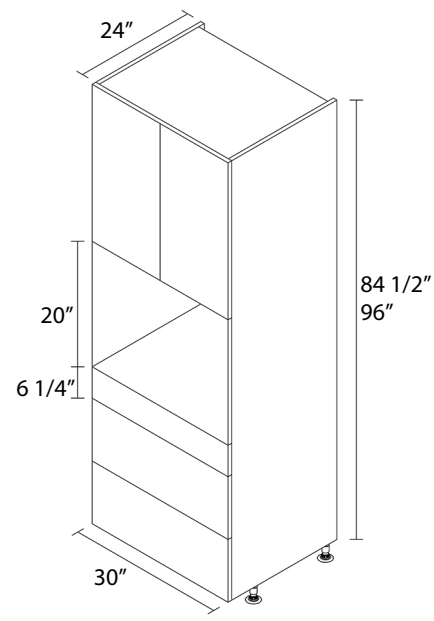
2 DOORS • 1 SHELF 2 DRAWERS

TPM3084DO2-DW2

30W X 24D X 84.5H

TPM3096DO2-DW2

30W X 24D X 96H



2 DOORS • 1 SHELF 3 DRAWERS

TPM3084DO2-DW3

30W X 24D X 84.5H

TPM3096DO2-DW3

30W X 24D X 96H



TSCA TITLE VI COMPLIANT