



**LETMOBEL**  
CABINET LINE



# KITCHEN CABINETS

**Frameless**

**MADE IN USA**



## Quality

**Our frameless cabinets** are designed and built to the highest standard of the industry. We source top quality raw materials domestically in North America and perform all the manufacturing also in the USA. Assuring in this way the quality of the final products.

We build cabinets using European hardware, all our hinges, drawer guides and additional accessories are sourced from top Italian brands, which gives our kitchens the looks and feel of a leading product.

All our cabinets comply with the **TSCA Title VI EPA** rule and the **CARB ATCM** Phase II emission standards.

## Service

The fact we source our raw materials and manufacture 100% in the US, warranties excellent real lead times for initial purchases, and short response time when needed.

## Simplicity and Efficiency

We build our cabinets with the installer and the builder in mind. **Our products are designed to reduce assembly and installation time**, at the same time we use smart hardware to simplify the final set up.

By using the latest fastening technology, we reduce assembly labor **cost by 60%** and, at the same time this eliminates the need of screws, staples and glue.

All our base cabinets are mounted on polymer adjustable legs, which makes installation and alignment super simple, eliminating the need of shims. **This reduces the installation time considerably.**

**Wall Cabinets are fitted with 3 way adjustable hanger system**, that eases set up and simplifies alignment in uneven walls.

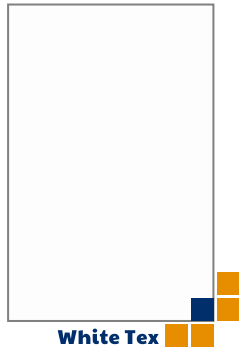
Since we have **direct access to TFL panels**, we manufacture our finished ends with the same designs of the drawer fronts and doors. Reducing the cost of additional panels, and the time to install those at the end of the job.

# KITCHEN CABINETS

## Frameless

### SPECIFICATIONS

#### Door styles and finishes



 High Gloss is also available

**If you are looking for a particular door color style or finish:**

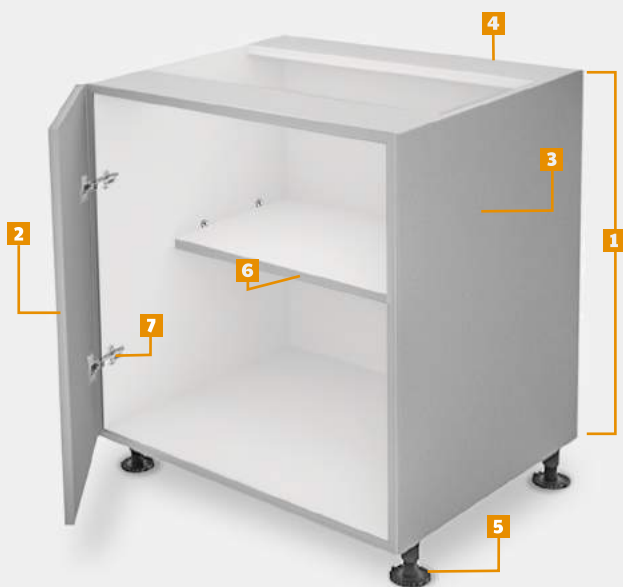
**Write to us at:** [customerservice@letmobel.com](mailto:customerservice@letmobel.com) • +1- 866 -721.88.37

**We will answer your questions in a personalized way.**

# KITCHEN CABINETS

## Frameless

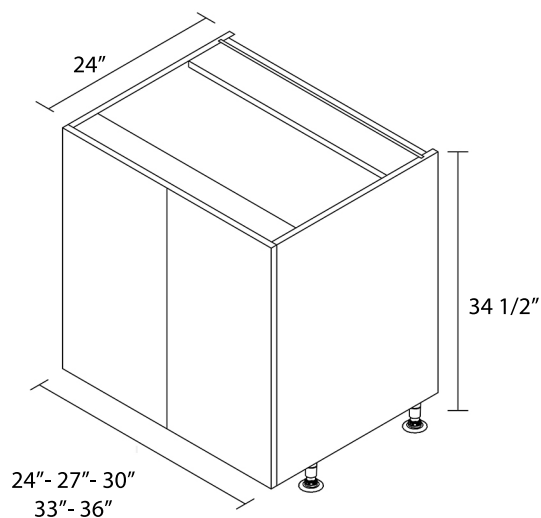
## BASE CABINETS



### 2 DOORS • 1 SHELF

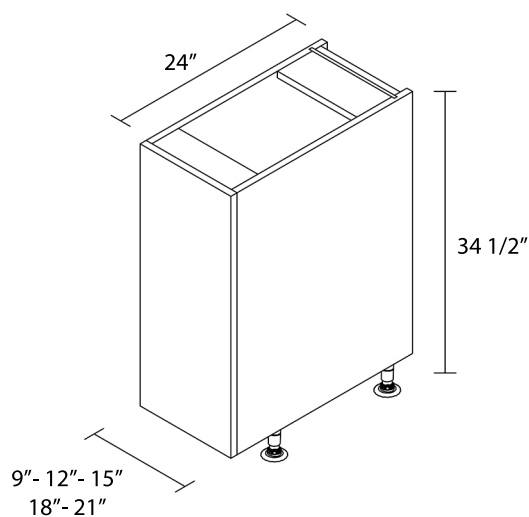
#### Features

1. Cabinet box available in Soft Grey and White Tex colors, made of 3/4" PB TFL for maximum strength.
2. Door fronts are offered in 9 different designs readily available.
3. Finished end designs are matched with doors and drawer fronts, eliminating the need of additional panels or laminate, reducing overall cost and simplifying installation.
4. 3/8" PB TFL cabinet back increases durability and toughness.
5. Adjustable plastic legs makes leveling a breeze and protects the box from water leaks.
6. Adjustable shelves to add versatility, made of 3/4" PB TFL to maximize strength.
7. Italian hinges with integrated Soft-Close mechanism, easy installation device and 3-way adjustable system.



### 2 DOORS • 1 SHELF

- B24D02**  
24W X 24DX 34.5H
- B27D02**  
27W X 24DX 34.5H
- B30D02**  
30W X 24DX 34.5H
- B33D02**  
33W X 24DX 34.5H
- B36D02**  
36W X 24DX 34.5H



### 1 DOOR • 1 SHELF

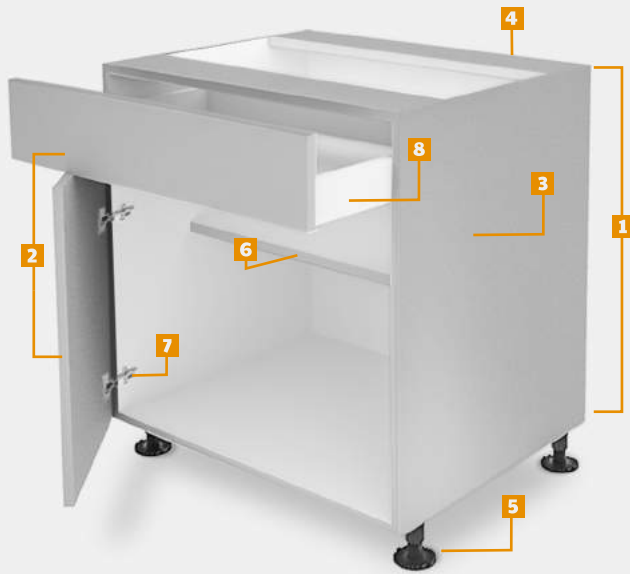
R: RIGHT L: LEFT

- B9D01-R/L**  
9W X 24DX 34.5H
- B12D01-R/L**  
12W X 24DX 34.5H
- B15D01-R/L**  
15W X 24DX 34.5H
- B18D01-R/L**  
18W X 24DX 34.5H
- B21D01-R/L**  
21W X 24DX 34.5H

# KITCHEN CABINETS

## Frameless

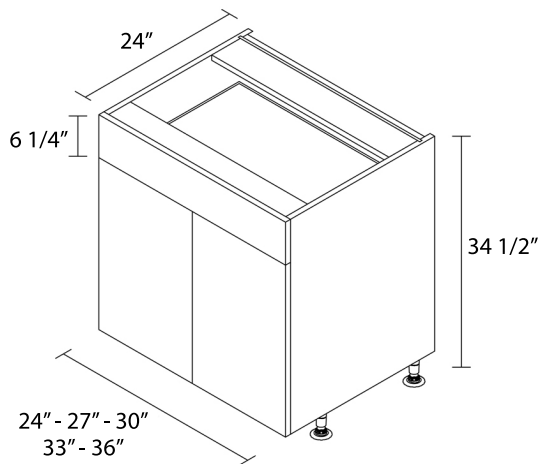
## BASE CABINETS



### 2 DOORS • 1 SHELF • 1 DRAWER

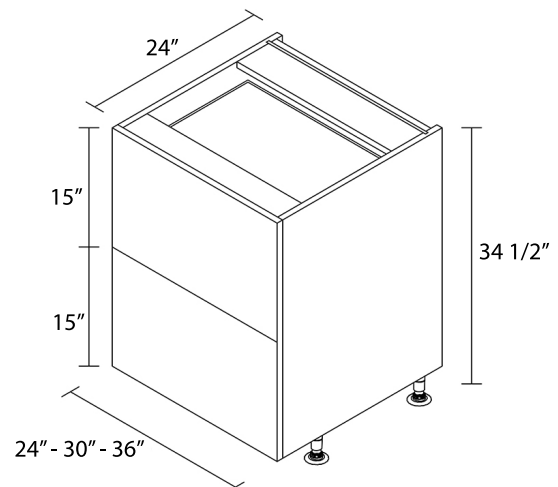
#### Features

1. Cabinet box available in Soft Grey and White Tex colors, made of 3/4" PB TFL for maximum strength.
2. Doors and drawer fronts are offered in 9 different designs readily available.
3. Finished end designs are matched with doors and drawer fronts, eliminating the need of additional panels or laminate, reducing overall cost and simplifying installation.
4. 3/8" PB TFL cabinet back increases durability and toughness.
5. Adjustable plastic legs makes leveling a breeze and protects the box from water leaks.
6. Adjustable shelves to add versatility, made of 3/4" PB TFL to maximize strength.
7. Italian hinges with integrated Soft-Close mechanism, easy installation device and 3-way adjustable system.
8. Concealed high quality italian drawer runners with integrated soft-closing mechanism and 6-Way adjustment device for easy install and alignment.



### 2 DOORS • 1 SHELF • 1 DRAWER

- B24DO2-DW1**  
24W X 24DX 34.5H
- B27DO2-DW1**  
27W X 24DX 34.5H
- B30DO2-DW1**  
30W X 24DX 34.5H
- B33DO2-DW1**  
33W X 24DX 34.5H
- B36DO2-DW1**  
36W X 24DX 34.5H



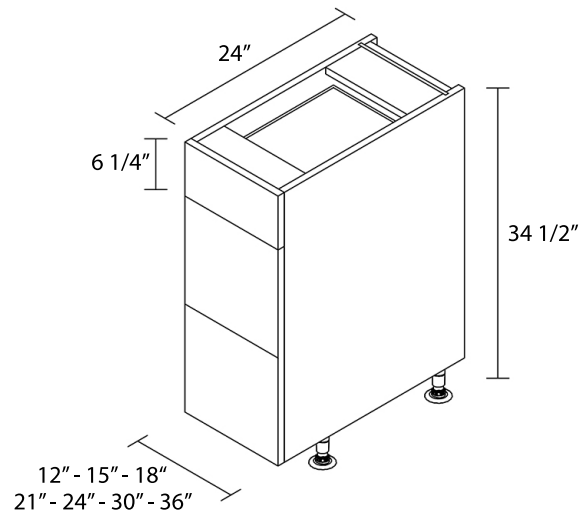
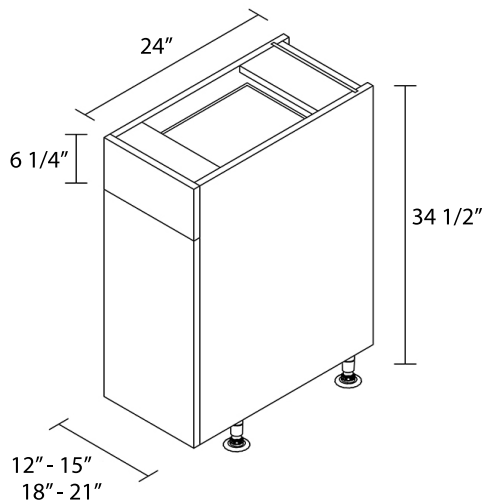
### 2 DRAWERS

- B24-DW2**  
24W X 24DX 34.5H
- B30-DW2**  
30W X 24DX 34.5H
- B36-DW2**  
36W X 24DX 34.5H

# KITCHEN CABINETS

## Frameless

## BASE CABINETS



### 1 DOOR • 1 SHELF • 1 DRAWER

R: RIGHT L: LEFT

**B12DO1-DW1-R/L**  
12W X 24D X 34.5H  
**B15DO1-DW1-R/L**  
15W X 24D X 34.5H  
**B18DO1-DW1-R/L**  
18W X 24D X 34.5H  
**B21DO1-DW1-R/L**  
21W X 24D X 34.5H

### 3 DRAWERS

**B12-DW3**  
12W X 24D X 34.5H  
**B15-DW3**  
15W X 24D X 34.5H  
**B18-DW3**  
18W X 24D X 34.5H  
**B21-DW3**  
21W X 24D X 34.5H  
**B24-DW3**  
24W X 24D X 34.5H  
**B30-DW3**  
30W X 24D X 34.5H  
**B36-DW3**  
36W X 24D X 34.5H



### METAL PULL OUT ORGANIZER

Italian high quality pull out organizer, offering full extension, soft-close and door front face adjustment.

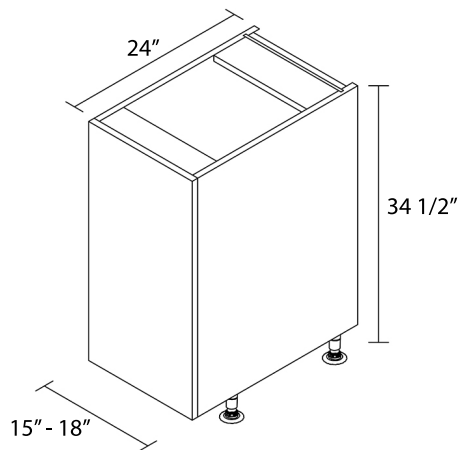
#### Features

1. Cabinet box available in Soft Grey and White Tex colors, made of 3/4" PB TFL for maximum strength.
2. Door fronts are offered in 9 different designs readily available.
3. Finished end designs are matched with doors and drawer fronts, eliminating the need of additional panels or laminate, reducing overall cost and simplifying installation.
4. 3/8" PB TFL cabinet back increases durability and toughness.
5. Adjustable plastic legs makes leveling a breeze and protects the box from water leaks.
6. Pull out organizer accessory.

# KITCHEN CABINETS

## Frameless

### BASE CABINETS



#### METAL PULL OUT ORGANIZER

**B15PO**

15W X 24D X 34.5H

**B18PO**

18W X 24D X 34.5H

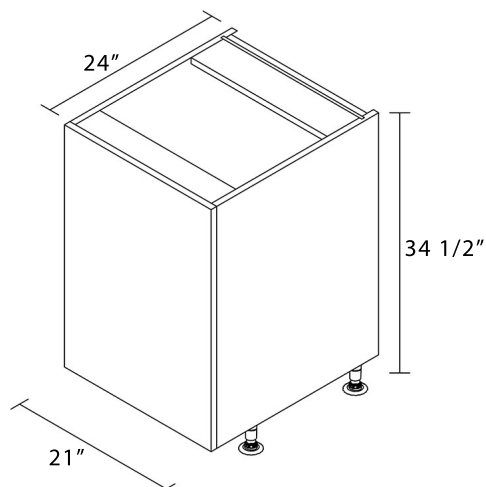


#### WASTE RECYCLE PULL OUT

Italian high quality pull out offering full extension, Soft-Close and with door front face adjustment.

##### Features

1. Cabinet box available in Soft Grey and White Tex colors, made of 3/4" PB TFL for maximum strength.
2. Door fronts offered in 9 different designs readily available.
3. Finished end designs are matched with doors and drawer fronts, eliminating the need of additional panels or laminate, reducing overall cost and simplifying installation.
4. 3/8" PB TFL cabinet back increases durability and toughness.
5. Adjustable plastic legs makes leveling a breeze and protects the box from water leaks.
6. Waste recycle pull out accessory.



#### WASTE RECYCLE PULL OUT

**B21TPO**

21W X 24D X 34.5H

# KITCHEN CABINETS

## Frameless

## BASE CABINETS



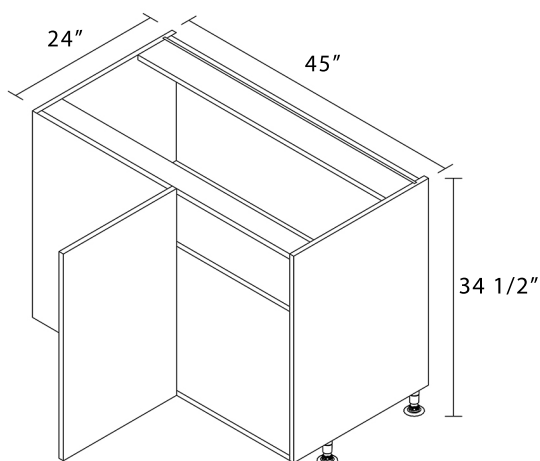
### BASE • BLIND CORNER

#### Features

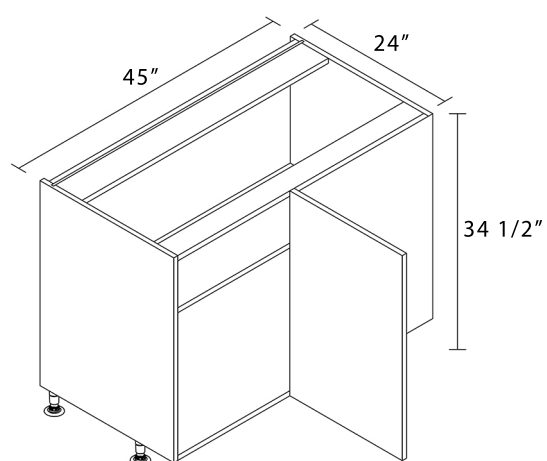
1. Cabinet box available in Soft Grey and White Tex colors, made of 3/4" PB TFL for maximum strength.
2. Door fronts offered in 9 different designs readily available.
3. Finished end designs are matched with doors and drawer fronts, eliminating the need of additional panels or laminate, reducing overall cost and simplifying installation.
4. 3/8" PB TFL cabinet back increases durability and toughness.
5. Adjustable plastic legs makes leveling a breeze and protects the box from water leaks.
6. Adjustable shelves to add versatility, made of 3/4" PB TFL to maximize strength.
7. Italian hinges with integrated Soft-Close mechanism, easy installation device and 3-way adjustable system.

### BASE • BLIND CORNER

R: RIGHT L: LEFT



**BBC45DO1-R**  
45WX24DX34.5H



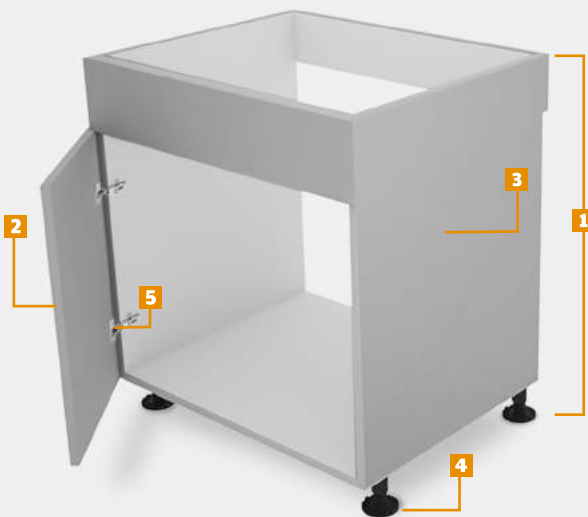
**BBC45DO1-L**  
45WX24DX34.5H



# KITCHEN CABINETS

## Frameless

## SINK CABINETS



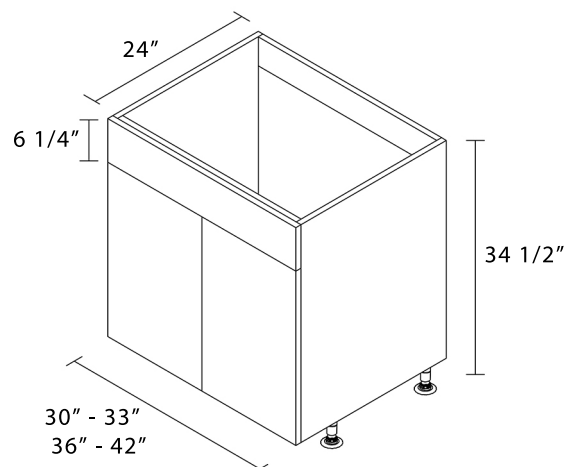
### 2 DOORS • 1 DUMMY DRAWER

#### Features

1. Cabinet box available in Soft Grey and White Tex colors, made of 3/4" PB TFL for maximum strength.
2. Doors, and dummy drawer fronts offered in 9 different designs readily available.
3. Finished end designs are matched with doors and drawer fronts, eliminating the need of additional panels or laminate, reducing overall cost and simplifying installation.
4. Adjustable plastic legs makes leveling a breeze and protects the box from water leaks.
5. Italian hinges with integrated Soft-Close mechanism, easy installation device and 3-way adjustable system.

### 2 DOORS • 1 DUMMY DRAWER

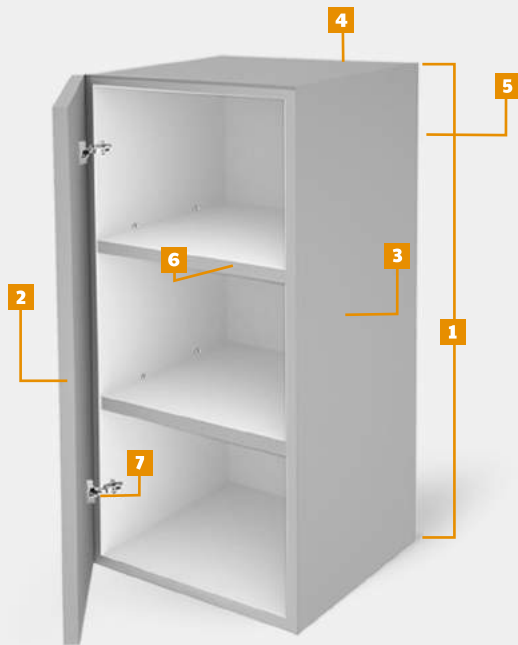
- SB30DO2-FDW1**  
30W X 24D X 34.5H
- SB33DO2-FDW1**  
33W X 24D X 34.5H
- SB36DO2-FDW1**  
36W X 24D X 34.5H
- SB42DO2-FDW1**  
42W X 24D X 34.5H



# KITCHEN CABINETS

## Frameless

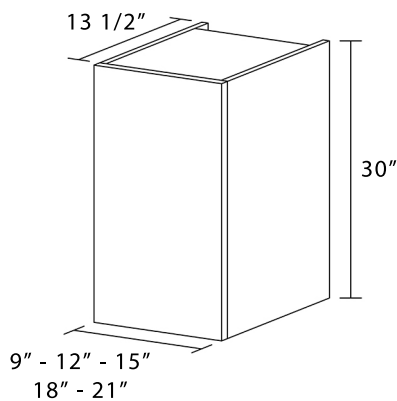
## WALL CABINETS



### 1 DOOR • 2 AND 3 SHELVES

#### Features

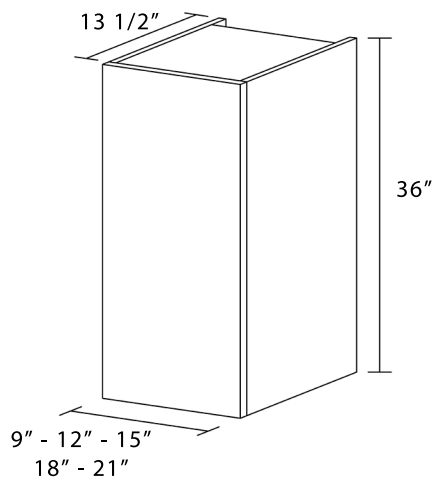
1. Cabinet box available in Soft Grey and White Tex colors, made of 3/4" PB TFL for maximum strength.
2. Door fronts offered in 9 different designs readily available.
3. Finished end designs are matched with doors, eliminating the need of additional panels or laminate, reducing overall cost and simplifying installation.
4. 3/8" PB TFL cabinet back increases durability and toughness.
5. Hanger system with integrated 3-Way adjustable mechanism, shortens installation time and simplifies alignment in uneven walls.
6. Adjustable shelves to add versatility, made of 3/4" PB TFL to maximize strength.
7. Italian hinges with integrated Soft-Close mechanism, easy installation device and 3-way adjustable system.



### 1 DOOR • 2 SHELVES

R: RIGHT L: LEFT

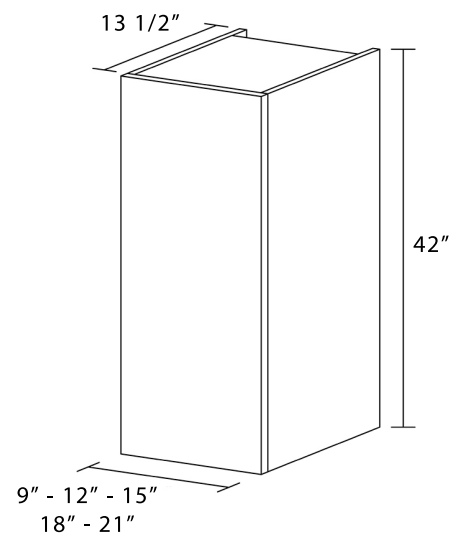
- W930DO1-R/L**  
9WX13.5DX30H
- W1230DO1-R/L**  
12WX13.5DX30H
- W1530DO1-R/L**  
15WX13.5DX30H
- W1830DO1-R/L**  
18WX13.5DX30H
- W2130DO1-R/L**  
21WX13.5DX30H



### 1 DOOR • 3 SHELVES

R: RIGHT L: LEFT

- W936DO1-R/L**  
9WX13.5DX36H
- W1236DO1-R/L**  
12WX13.5DX36H
- W1536DO1-R/L**  
15WX13.5DX36H
- W1836DO1-R/L**  
18WX13.5DX36H
- W2136DO1-R/L**  
21WX13.5DX36H



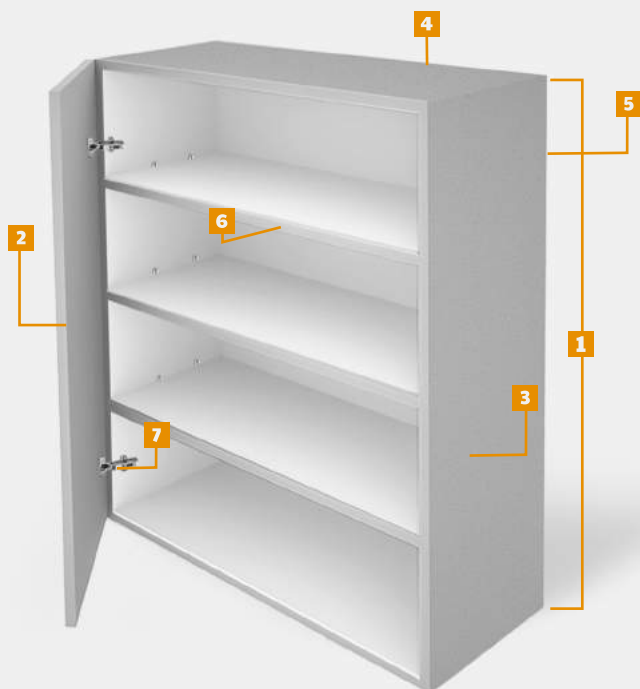
### 1 DOOR • 2 SHELVES

- W942DO1-R/L**  
9WX13.5DX42H
- W1242DO1-R/L**  
12WX13.5DX42H
- W1542DO1-R/L**  
15WX13.5DX42H
- W1842DO1-R/L**  
18WX13.5DX42H
- W2142DO1-R/L**  
21WX13.5DX42H

# KITCHEN CABINETS

## Frameless

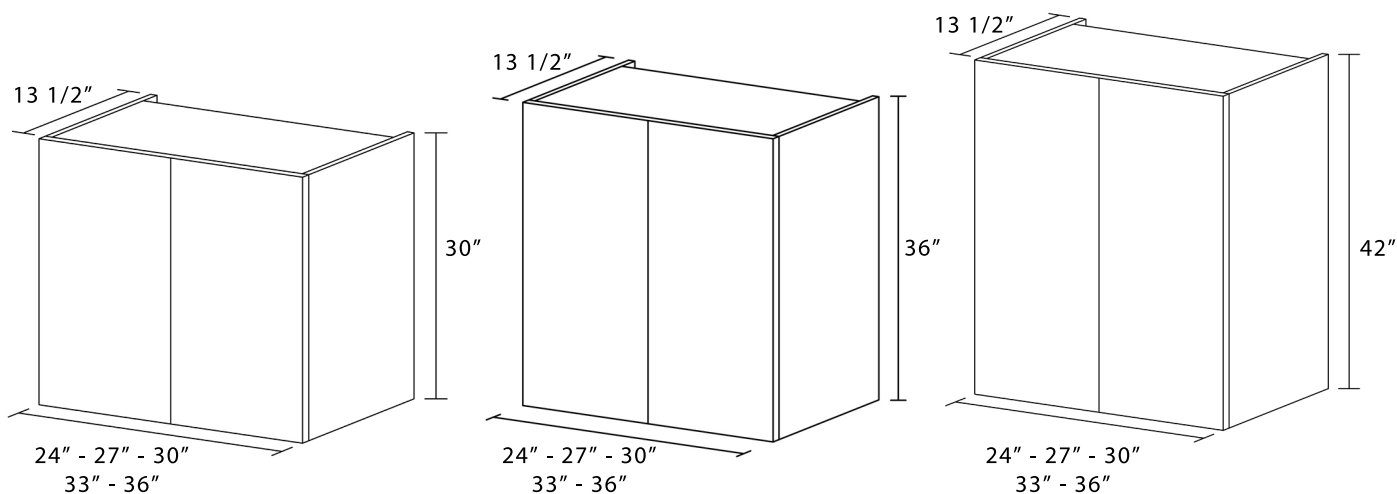
## WALL CABINETS



### 2 DOORS • 2 AND 3 SHELVES

#### Features

1. Cabinet box available in Soft Grey and White Tex colors, made of 3/4" PB TFL for maximum strength.
2. Door fronts offered in 9 different designs readily available.
3. Finished end designs are matched with doors, eliminating the need of additional panels or laminate, reducing overall cost and simplifying installation.
4. 3/8" PB TFL cabinet back increases durability and toughness.
5. Hanger system with integrated 3-Way adjustable mechanism, shortens installation time and simplifies alignment in uneven walls.
6. Adjustable shelves to add versatility, made of 3/4" PB TFL to maximize strength.
7. Italian hinges with integrated Soft-Close mechanism, easy installation device and 3-way adjustable system.



### 2 DOORS • 2 SHELVES

- W2430D02**  
24WX13.5DX30H
- W2730D02**  
27WX13.5DX30H
- W3030D02**  
30WX13.5DX30H
- W3330D02**  
33WX13.5DX30H
- W3630D02**  
36WX13.5DX30H

### 2 DOORS • 3 SHELVES

- W2436D02**  
24WX13.5DX36H
- W2736D02**  
27WX13.5DX36H
- W3036D02**  
30WX13.5DX36H
- W3336D02**  
33WX13.5DX36H
- W3636D02**  
36WX13.5DX36H

- W2442D02**  
24WX13.5DX42H
- W2742D02**  
27WX13.5DX42H
- W3042D02**  
30WX13.5DX42H
- W3342D02**  
33WX13.5DX42H
- W3642D02**  
36WX13.5DX42H

# KITCHEN CABINETS

## Frameless

## WALL CABINETS



### 1 DOOR

#### Features

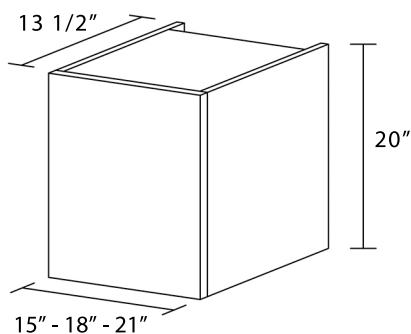
1. Cabinet box available in Soft Grey and White Tex colors, made of 3/4" PB TFL for maximum strength.
2. Door fronts offered in 9 different designs readily available.
3. Finished end designs are matched with doors, eliminating the need of additional panels or laminate, reducing overall cost and simplifying installation.
4. 3/8" PB TFL cabinet back increases durability and toughness.
5. Hanger system with integrated 3-Way adjustable mechanism, shortens installation time and simplifies alignment in uneven walls.
6. Italian hinges with integrated Soft-Close mechanism, easy installation device and 3-way adjustable system.



### 1 LIFT UP DOOR

#### Features

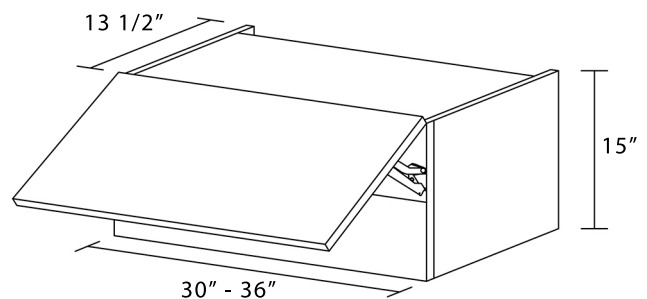
1. Cabinet box available in Soft Grey and White Tex colors, made of 3/4" PB TFL for maximum strength.
2. Door fronts offered in 9 different designs readily available.
3. Finished end designs are matched with doors, eliminating the need of additional panels or laminate, reducing overall cost and simplifying installation.
4. 3/8" PB TFL cabinet back increases durability and toughness.
5. Hanger system with integrated 3-Way adjustable mechanism, shortens installation time and simplifies alignment in uneven walls.
6. Lift Up adjustable system with soft close mechanism.



### 1 DOOR

R: RIGHT L: LEFT

- W1520DO1-R/L**  
15W X 13.5DX 20H
- W1820DO1-R/L**  
18W X 13.5DX 20H
- W2120DO1-R/L**  
21W X 13.5DX 20H



### 1 LIFT UP DOOR

- W3015LU**  
30W X 13.5DX 15H
- W3615LU**  
36W X 13.5DX 15H

# KITCHEN CABINETS

## Frameless

## WALL CABINETS



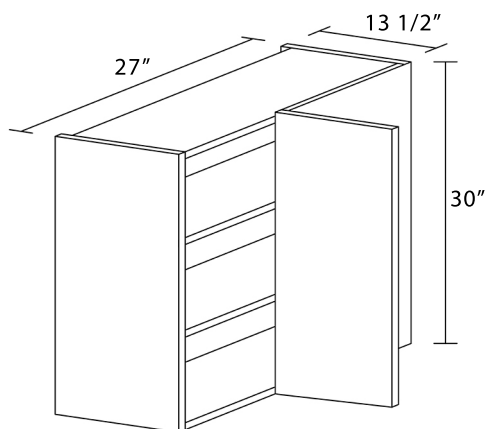
### WALL - BLIND CORNER

#### Features

1. Cabinet box available in Soft Grey and White Tex colors, made of 3/4" PB TFL for maximum strength.
2. Door fronts offered in 9 different designs readily available.
3. Finished end designs are matched with Doors, eliminating the need of additional panels or laminate, reducing overall cost and simplifying installation.
4. 3/8" PB TFL Cabinet Back increases durability and toughness.
5. Hanger system with integrated 3-Way adjustable mechanism, shortens installation time and simplifies alignment in uneven walls.
6. Adjustable shelves to add versatility, made of 3/4" PB TFL to maximize strength.
7. Italian hinges with integrated Soft-Close mechanism, easy installation device and 3-way adjustable system.

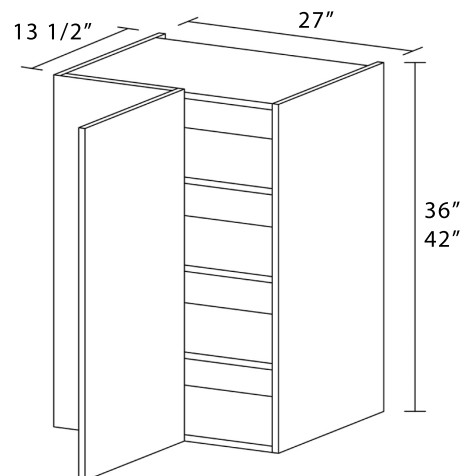
### WALL - BLIND CORNER

R: RIGHT L: LEFT



#### 1 DOOR • 2 SHELVES

**WBC2730D01-R/L**  
27WX13.5DX30H



#### 1 DOOR • 3 SHELVES

**WBC2736D01-R/L**  
27WX13.5DX36H  
**WBC2742D01-R/L**  
27WX13.5DX42H

# KITCHEN CABINETS

## Frameless

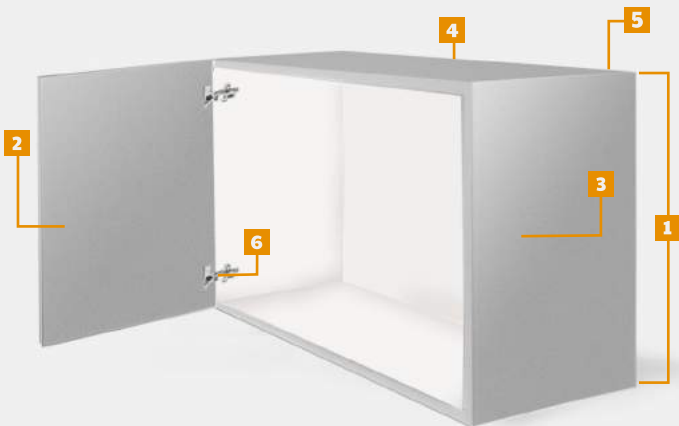
## BRIDGE CABINETS



### 2 DOORS

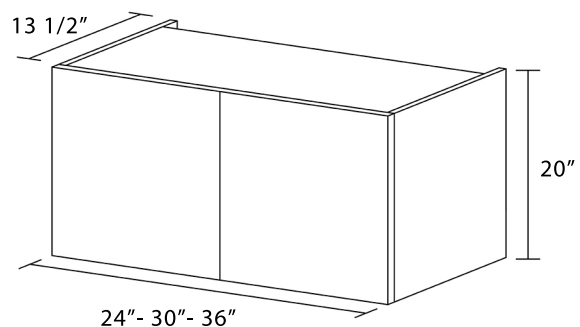
#### Features

1. Cabinet Box available in Soft Grey and White Tex colors, made of 3/4" PB TFL for maximum strength.
2. Door fronts offered in 9 different designs readily available.
3. Finished end designs are matched with doors, eliminating the need of additional panels or laminate, reducing overall cost and simplifying installation.
4. 3/8" PB TFL cabinet back increases durability and toughness.
5. Hanger system with integrated 3-Way adjustable mechanism, shortens installation time and simplifies alignment in uneven walls.
6. Italian hinges with integrated Soft-Close mechanism, easy installation device and 3-way adjustment system.



### 2 DOORS

- WB2420DO2**  
24W X 13.5D X 20H
- WB3020DO2**  
30W X 13.5D X 20H
- WB3620DO2**  
36W X 13.5D X 20H



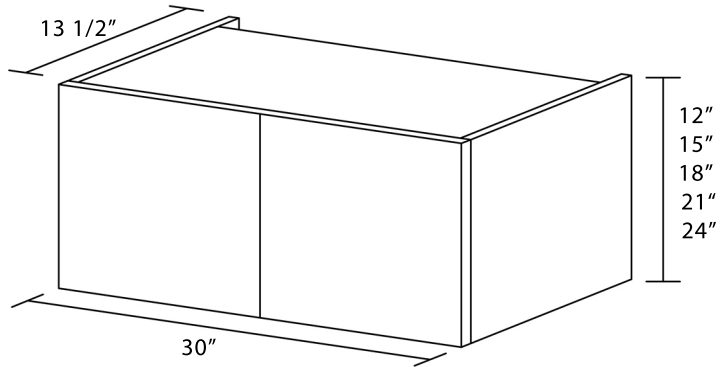
# KITCHEN CABINETS

## Frameless

## BRIDGE CABINETS

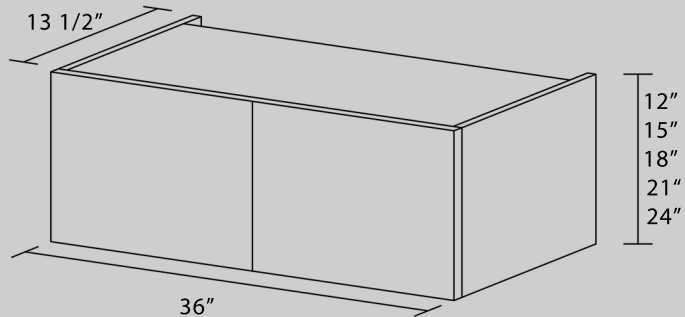
### 2 DOORS

- WB3012DO2**  
30WX13.5DX12H
- WB3015DO2**  
30WX13.5DX15H
- WB3018DO2**  
30WX13.5DX18H
- WB3021DO2**  
30WX13.5DX21H
- WB3024DO2**  
30WX13.5DX24H



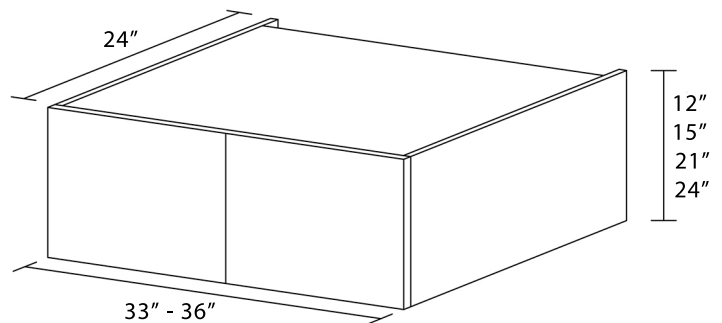
### 2 DOORS

- WB3612DO2**  
36WX13.5DX12H
- WB3615DO2**  
36WX13.5DX15H
- WB3618DO2**  
36WX13.5DX18H
- WB3621DO2**  
36WX13.5DX21H
- WB3624DO2**  
36WX13.5DX24H



### 2 DOORS

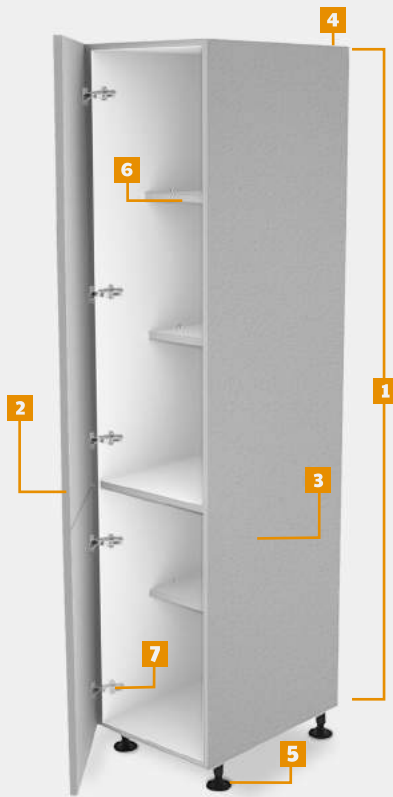
- |                                   |                                  |
|-----------------------------------|----------------------------------|
| <b>WB331224DO2</b><br>33WX24DX12H | <b>W361224DO2</b><br>36WX24DX12H |
| <b>WB331524DO2</b><br>33WX24DX15H | <b>W361524DO2</b><br>36WX24DX15H |
| <b>WB332124DO2</b><br>33WX24DX21H | <b>W362124DO2</b><br>36WX24DX21H |
| <b>WB332424DO2</b><br>33WX24DX24H | <b>W362424DO2</b><br>36WX24DX24H |



# KITCHEN CABINETS

## Frameless

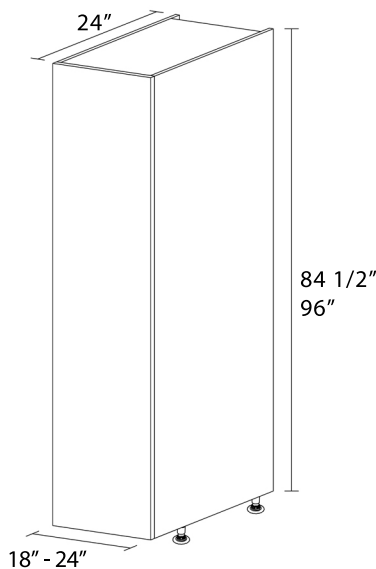
### TALL PANTRY



## 2 DOORS • 4 SHELVES

### Features

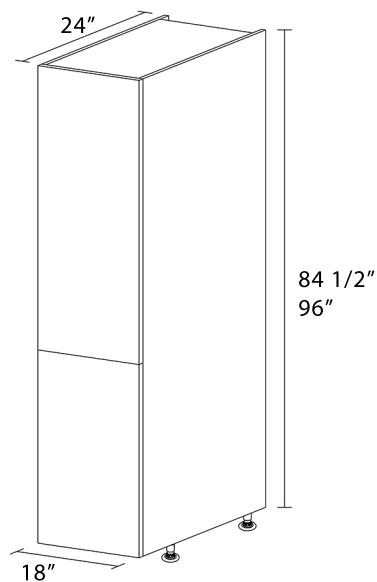
1. Cabinet box available in Soft Grey and White Tex colors, made of 3/4" PB TFL for maximum strength.
2. Doors and drawer fronts offered in 9 different designs readily available.
3. Finished end designs are matched with doors and drawer fronts, eliminating the need of additional panels or laminate, reducing overall cost and simplifying installation.
4. 3/8" PB TFL cabinet back increases durability and toughness.
5. Adjustable plastic legs makes leveling a breeze and protects is the box from water leaks.
6. Adjustable shelves to add versatility, made of 3/4" PB TFL to maximize strength.
7. Italian hinges with integrated Soft-Close mechanism, easy installation device and 3-way adjustable system.



## 1 DOOR • 4 SHELVES

R: RIGHT L: LEFT

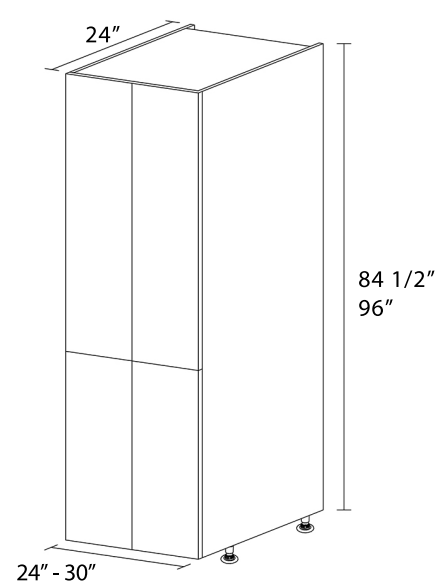
- TP1884DO1-R/L**  
18WX24DX84.5H
- TP1896DO1-R/L**  
18WX24DX96H
- TP2484DO1-R/L**  
24WX24DX84.5H
- TP2496DO1-R/L**  
24WX24DX96H



## 2 DOORS • 3 • 4 SHELVES

R: RIGHT L: LEFT

- TP1884DO2-R/L**  
18WX24DX84.5H
- TP1896DO2-R/L**  
18WX24DX96H



## 4 DOORS • 3 • 4 SHELVES

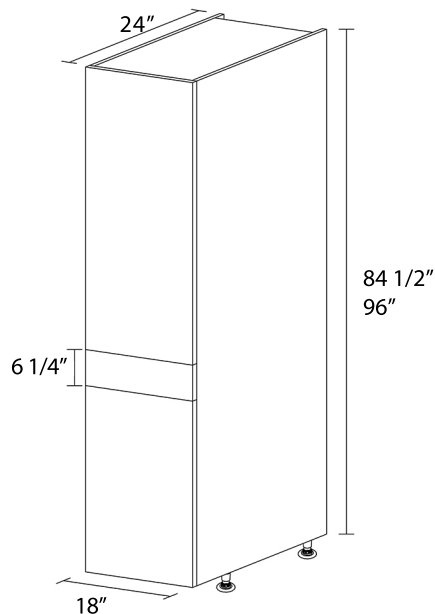
- TP2484DO4**  
24WX24DX84.5H
- TP2496DO4**  
24WX24DX96H
- TP3084DO4**  
30WX24DX84.5H
- TP3096DO4**  
30WX24DX96H



# KITCHEN CABINETS

## Frameless

### TALL PANTRY



#### 2 DOORS • 3 • 4 SHELVES 1 DRAWER

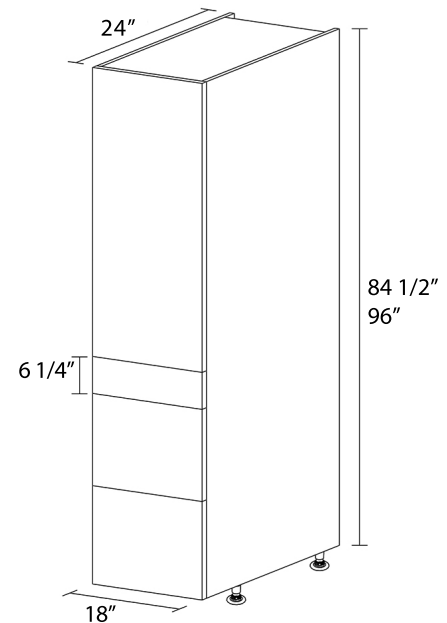
R: RIGHT L: LEFT

**TP1884DO2-DW1-R/L**

18WX24DX84.5H

**TP1896DO2-DW1-R/L**

18WX24DX96H



#### 1 DOOR • 2 • 3 SHELVES 3 DRAWERS

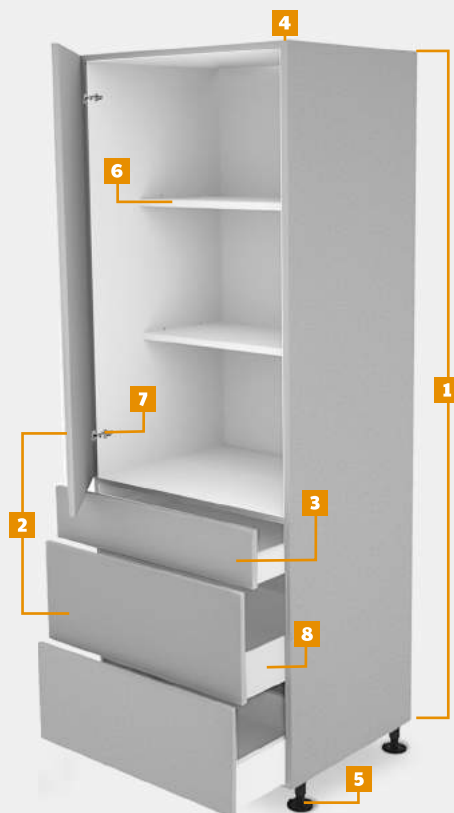
R: RIGHT L: LEFT

**TP1884DO1-DW3-R/L**

18WX24DX84.5H

**TP1896DO1-DW3-R/L**

18WX24DX96H



#### 2 DOORS • 2 SHELVES • 3 DRAWERS 2 DOORS • 3 SHELVES • 3 DRAWERS

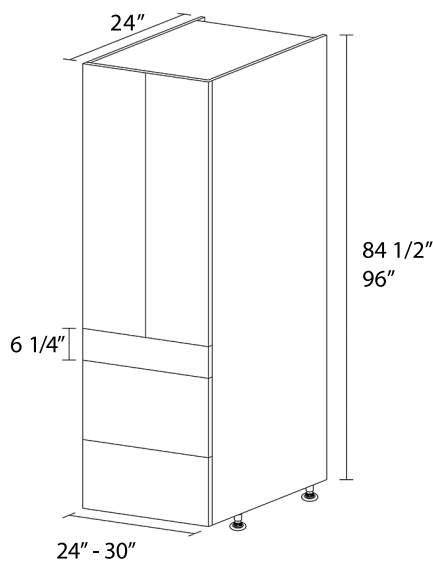
##### Features

1. Cabinet box available in Soft Grey and White Tex colors, made of 3/4" PB TFL for maximum strength.
2. Doors and drawer fronts offered in 9 different designs readily available.
3. Finished end designs are matched with doors and drawer fronts, eliminating the need of additional panels or laminate, reducing overall cost and simplifying installation.
4. 3/8" PB TFL cabinet back increases durability and toughness.
5. Adjustable plastic legs makes leveling a breeze and protects the box from water leaks.
6. Adjustable shelves to add versatility, made of 3/4" PB TFL to maximize strength.
7. Italian hinges with integrated Soft-Close mechanism, easy installation device and 3-way adjustable system.
8. Concealed high quality italian drawer runners with integrated soft-closing mechanism and 6-Way adjustment device for easy install and alignment.

# KITCHEN CABINETS

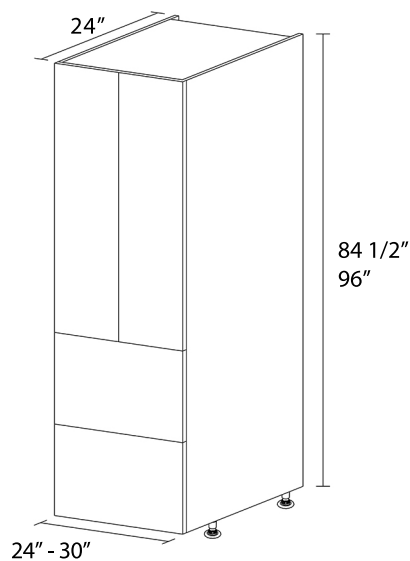
## Frameless

### TALL PANTRY



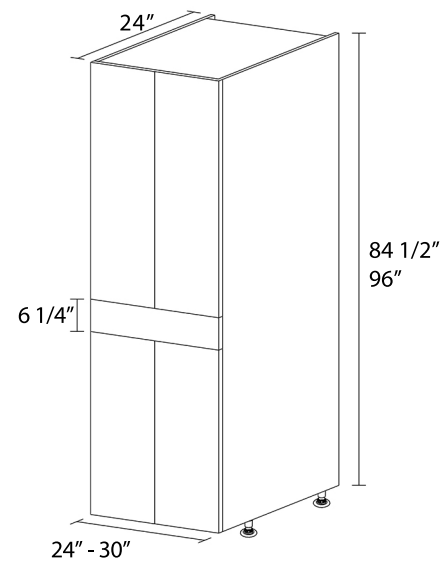
#### 2 DOORS • 2 • 3 SHELVES 3 DRAWERS

**TP2484DO2-DW3**  
24W X 24D X 84.5H  
**TP2496DO2-DW3**  
24W X 24D X 96H  
**TP3084DO2-DW3**  
30W X 24D X 84.5H  
**TP3096DO2-DW3**  
30W X 24D X 96H



#### 2 DOORS • 2 • 3 SHELVES 2 DRAWERS

**TP2484DO2-DW2**  
24W X 24D X 84.5H  
**TP2496DO2-DW2**  
24W X 24D X 96H  
**TP3084DO2-DW2**  
30W X 24D X 84.5H  
**TP3096DO2-DW2**  
30W X 24D X 96H



#### 4 DOORS • 3 • 4 SHELVES 1 DRAWER

**TP2484DO4-DW1**  
24W X 24D X 84.5H  
**TP2496DO4-DW1**  
24W X 24D X 96H  
**TP3084DO4-DW1**  
30W X 24D X 84.5H  
**TP3096DO4-DW1**  
30W X 24D X 96H



### TALL SINGLE OVEN PANTRY

#### 4 DOORS • 1 SHELF

##### Features

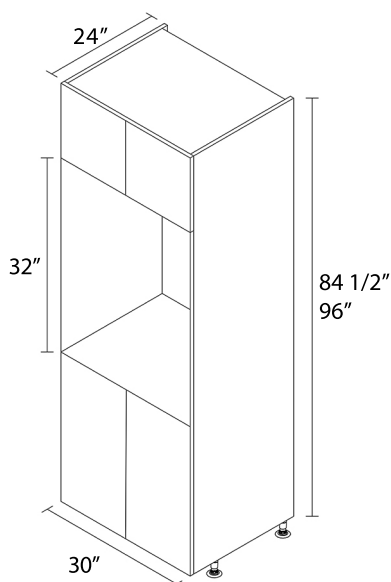
1. Cabinet box available in Soft Grey and White Tex colors, made of 3/4" PB TFL for maximum strength.
2. Doors and drawer fronts offered in 9 different designs readily available.
3. Finished end designs are matched with doors and drawer fronts, eliminating the need of additional panels or laminate, reducing overall cost and simplifying installation.
4. 3/8" PB TFL cabinet back increases durability and toughness.
5. Adjustable plastic legs makes leveling a breeze and protects the box from water leaks.
6. Adjustable shelves to add versatility, made of 3/4" PB TFL to maximize strength.
7. Italian hinges with integrated Soft-Close mechanism, easy installation device and 3-way adjustable system.

# KITCHEN CABINETS

## Frameless

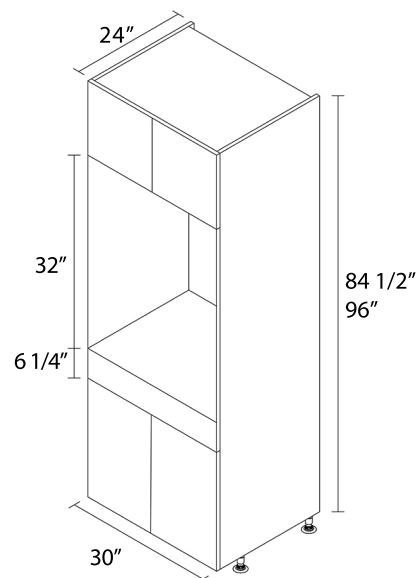
### TALL PANTRY

#### TALL SINGLE OVEN PANTRY



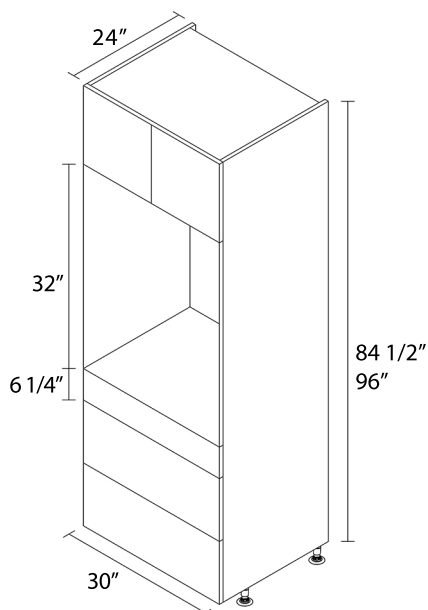
#### 4 DOORS • 1 SHELF

**TPSO3084DO4**  
30WX24DX84.5H  
**TPSO3096DO4**  
30WX24DX96H



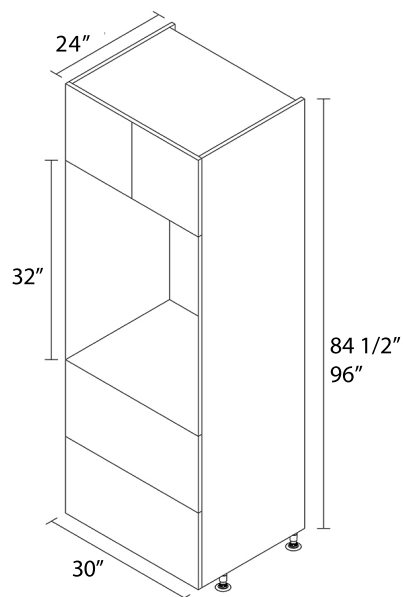
#### 4 DOORS • 1 SHELF 1 DRAWER

**TPSO3084DO4-DW1**  
30WX24DX84.5H  
**TPSO3096DO4-DW1**  
30WX24DX96H



#### 2 DOORS • 3 DRAWERS

**TPSO3084DO2-DW3**  
30WX24DX84.5H  
**TPSO3096DO2-DW3**  
30WX24DX96H



#### 2 DOORS • 2 DRAWERS

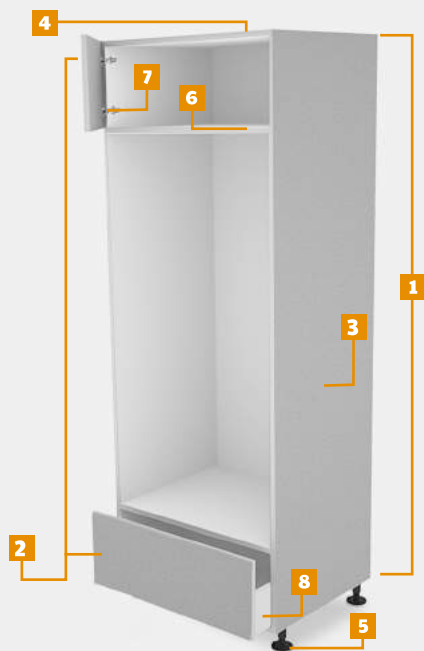
**TPSO3084DO2-DW2**  
30WX24DX84.5H  
**TPSO3096DO2-DW2**  
30WX24DX96H

# KITCHEN CABINETS

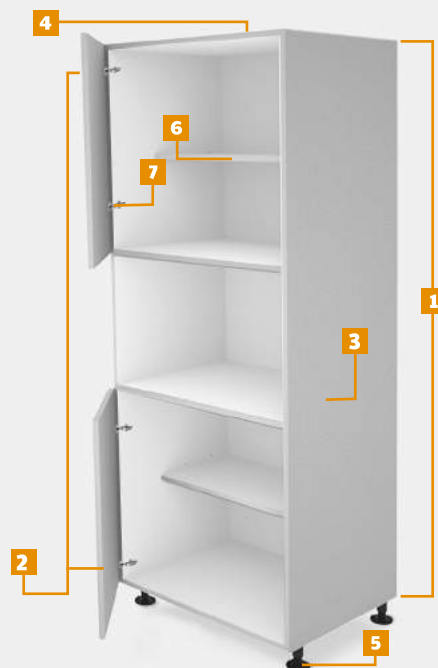
## Frameless

## TALL PANTRY

### TALL DUAL OVEN PANTRY

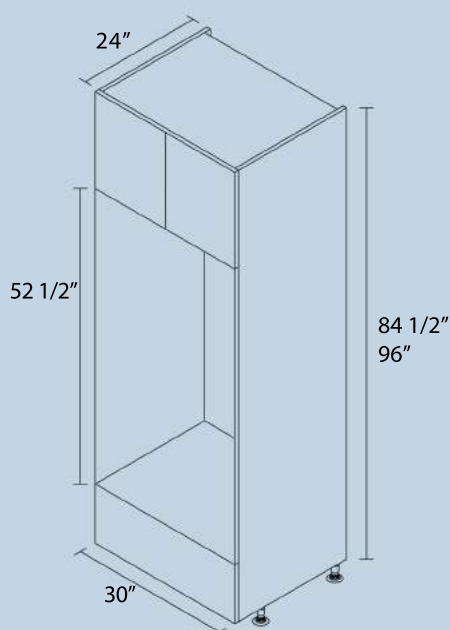


### TALL MICROWAVE PANTRY



#### Features

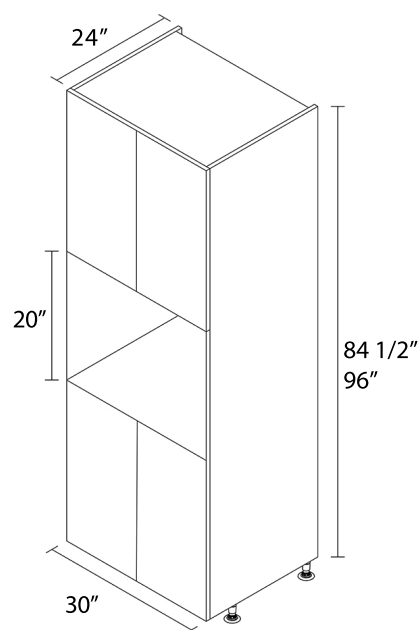
1. Cabinet Box available in Soft Grey and White Tex colors, made of 3/4" PB TFL for maximum strength.
2. Doors and drawer fronts offered in 9 different designs readily available.
3. Finished end designs are matched with doors and drawer fronts, eliminating the need of additional panels or laminate, reducing overall cost and simplifying installation.
4. 3/8" PB TFL cabinet back increases durability and toughness.
5. Adjustable plastic legs makes leveling a breeze and protects the box from water leaks.
6. Adjustable Shelves to add versatility, made of 3/4" PB TFL to maximize strength.
7. Italian hinges with integrated Soft-Close mechanism, easy installation device and 3-way adjustable system.
8. Concealed high quality italian drawer runners with integrated soft-closing mechanism and 6-Way adjustable device for easy install and alignment.



### TALL DUAL OVEN PANTRY

#### 2 DOORS 1 DRAWER

**TPDO3084DO2-DW1**  
30WX24DX84.5H  
**TPDO3096DO2-DW1**  
30WX24DX96H



### TALL MICROWAVE PANTRY

#### 4 DOORS 2 SHELVES

**TPM3084DO4**  
30WX24DX84.5H  
**TPM3096DO4**  
30WX24DX96H

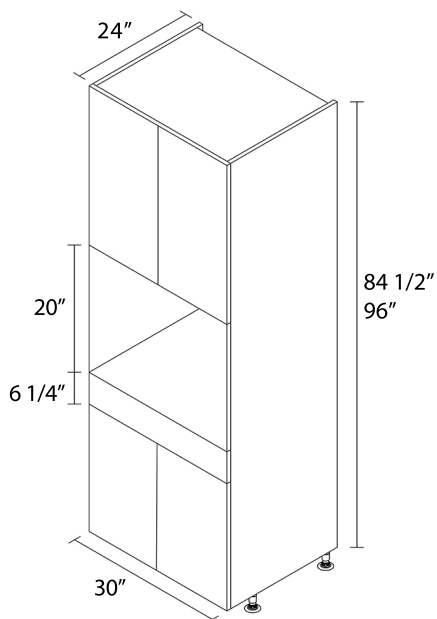
# KITCHEN CABINETS

## Frameless

## TALL PANTRY



### TALL MICROWAVE PANTRY



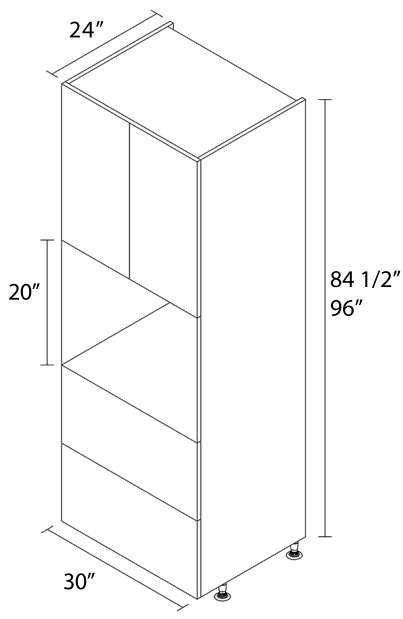
#### 4 DOORS • 1 SHELF 1 DRAWER

**TPM3084DO4-DW1**

30W X 24D X 84.5H

**TPM3096DO4-DW1**

30W X 24D X 96H



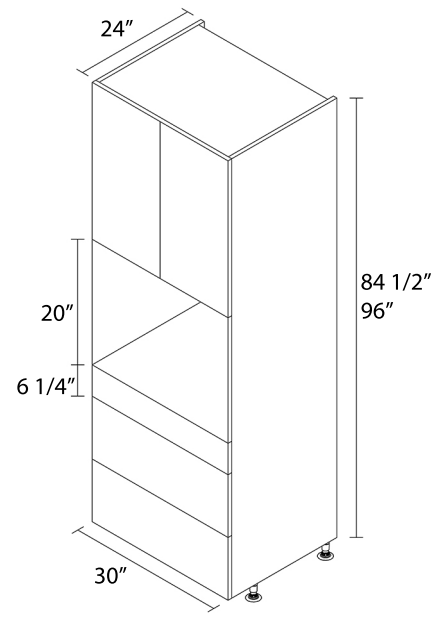
#### 2 DOORS • 1 SHELF 2 DRAWERS

**TPM3084DO2-DW2**

30W X 24D X 84.5H

**TPM3096DO2-DW2**

30W X 24D X 96H



#### 2 DOORS • 1 SHELF 3 DRAWERS

**TPM3084DO2-DW3**

30W X 24D X 84.5H

**TPM3096DO2-DW3**

30W X 24D X 96H



**TSCA TITLE VI COMPLIANT**

[www.letmobel.com](http://www.letmobel.com)   @letmobel

221 Barren Springs Dr, Suite 15A, Houston, Tx 77090-5926